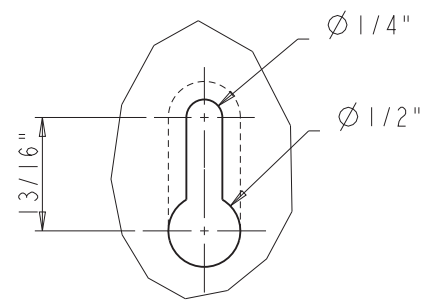
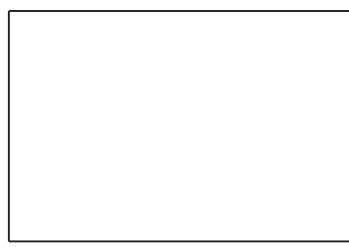


SEE DETAIL A



DETAIL A
SCALE 3:4



	ITEM:	COR44-1	MATERIAL:	PTC_MATERIAL_NAME
	FINISH:		WEIGHT:	0.000
PROPRIETARY AND CONFIDENTIAL THE INFORMATION CONTAINED IN THIS DRAWING IS THE SOLE PROPERTY OF HARDWARE RESOURCES INC. ANY REPRODUCTION IN PART OR AS A WHOLE WITHOUT THE WRITTEN PERMISSION OF HARDWARE RESOURCES INC. IS PROHIBITED.	PROJECTION			
	TOLERANCE UNLESS OTHERWISE SPECIFIED:	UNITS:	DRAWN BY:	DATE:
	X ±0.20		<i>Hugo.cai</i>	05-08-15
	X.X ±0.10	SIZE:	APPROVED BY:	DATE:
X.XX ±0.05	A4			
ANGULAR: ±0.5°	SHEET:	RELEASE LEVEL:	REVISION:	
DO NOT SCALE DRAWING	1 OF 1			