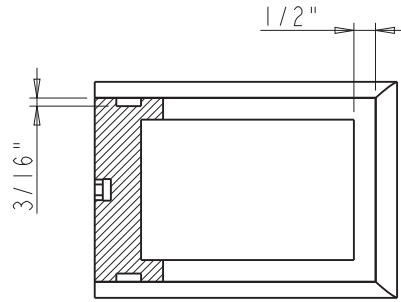
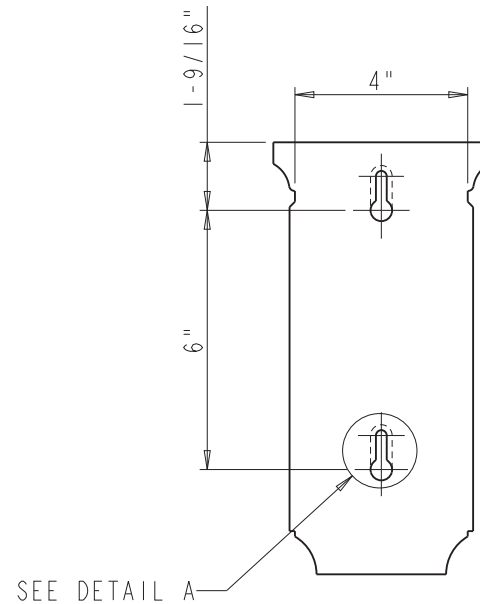
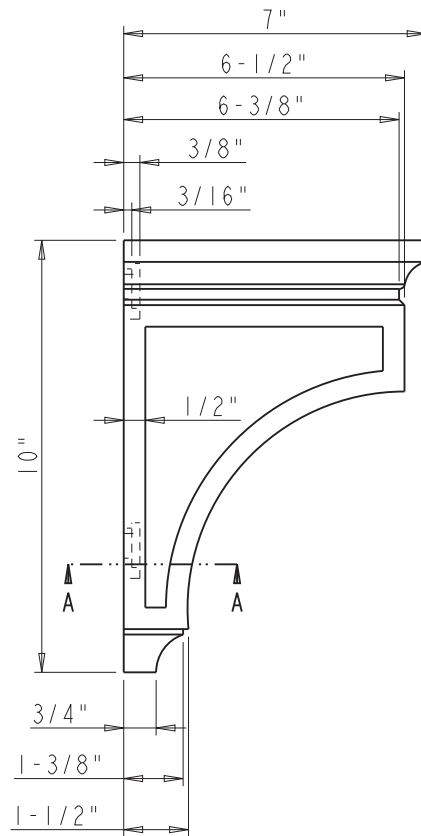
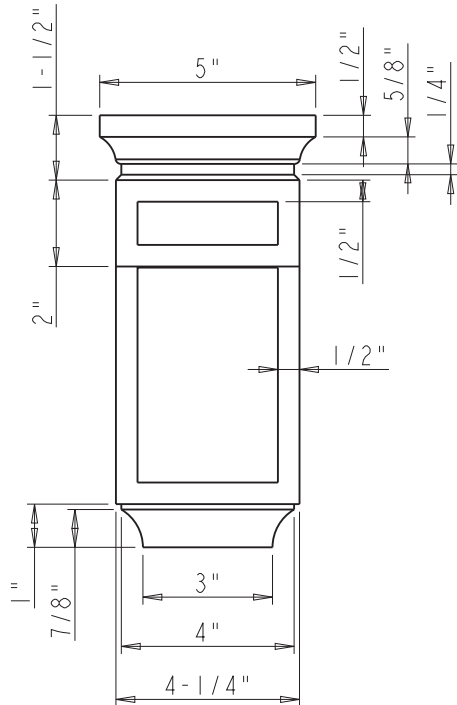
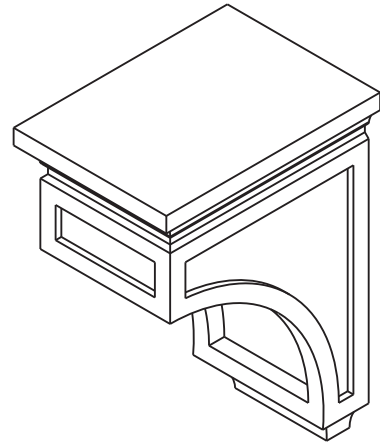


DETAIL A
SCALE 3:5



SECTION A-A



hardware resources	ITEM:	CORO-5		MATERIAL:
	FINISH:			WEIGHT:
PROPRIETARY AND CONFIDENTIAL THE INFORMATION CONTAINED IN THIS DRAWING IS THE SOLE PROPERTY OF HARDWARE RESOURCES INC. ANY REPRODUCTION IN PART OR AS A WHOLE WITHOUT THE WRITTEN PERMISSION OF HARDWARE RESOURCES INC. IS PROHIBITED.	TOLERANCE UNLESS OTHERWISE SPECIFIED: X ±0.20 XX ±0.10 XXX ±0.05 ANGULAR: ±0.6°		UNITS: DRAWN BY: <i>Hugo.cai</i>	DATE: 05-12-15
	DO NOT SCALE DRAWING	SIZE: A4	APPROVED BY:	DATE:
	SHEET:	RELEASE LEVEL:	REVISION:	
	1 OF 1			