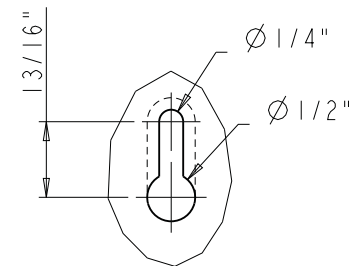
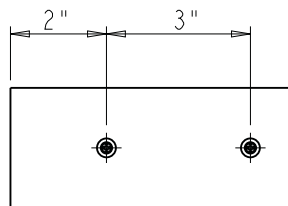
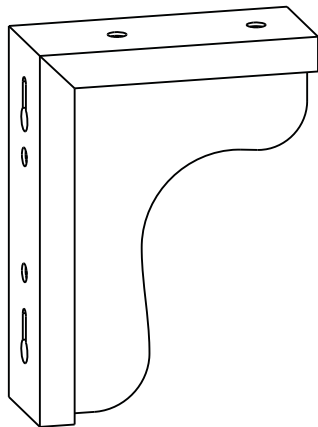
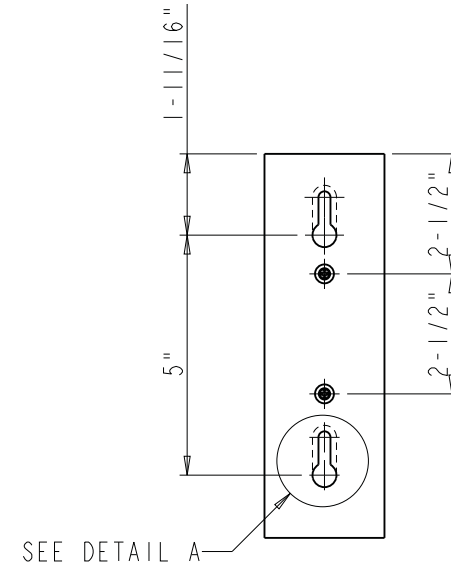
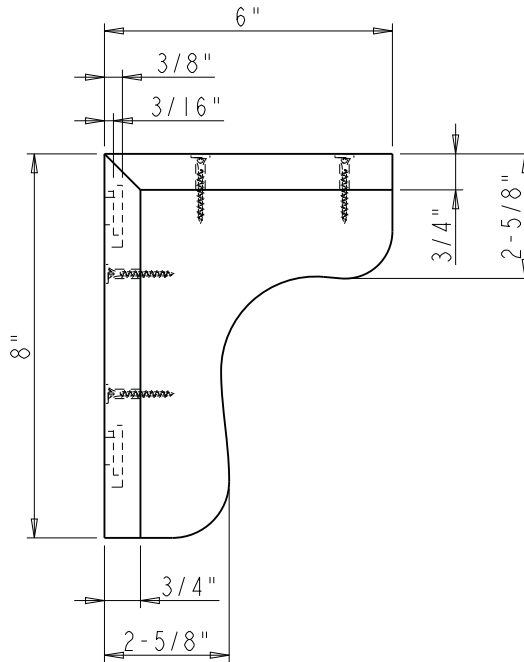
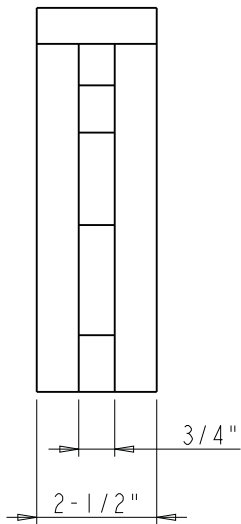


<p>hardware resources</p> <p><small>PROPRIETARY AND CONFIDENTIAL</small></p> <p><small>THE INFORMATION CONTAINED IN THIS DRAWING IS THE SOLE PROPERTY OF HARDWARE RESOURCES INC. ANY REPRODUCTION IN PART OR AS A WHOLE WITHOUT THE WRITTEN PERMISSION OF HARDWARE RESOURCES INC. IS PROHIBITED.</small></p> <p><small>DO NOT SCALE DRAWING</small></p>	ITEM:	COR8-6	MATERIAL:	
	FINISH:		WEIGHT:	[.2] g
			PROJECTION:	
	TOLERANCE UNLESS OTHERWISE SPECIFIED:	UNITS:	DRAWN BY:	DATE:
X ±0.20		Hugo.cai	Aug-08-16	
X.X ±0.10	SIZE:	APPROVED BY:	DATE:	
X.XX ±0.05				
ANGULAR: ±0.5°	SHEET:	RELEASE LEVEL:	REVISION:	



DETAIL A
SCALE 1:2

<p>hardware resources</p> <p>PROPRIETARY AND CONFIDENTIAL</p> <p>THE INFORMATION CONTAINED IN THIS DRAWING IS THE SOLE PROPERTY OF HARDWARE RESOURCES INC. ANY REPRODUCTION IN PART OR AS A WHOLE WITHOUT THE WRITTEN PERMISSION OF HARDWARE RESOURCES INC. IS PROHIBITED.</p> <p>DO NOT SCALE DRAWING</p>	ITEM:	COR8-6		MATERIAL:
	FINISH:			WEIGHT:
				9
				PROJECTION
TOLERANCE UNLESS OTHERWISE SPECIFIED:	UNITS:	DRAWN BY:		DATE:
X ±0.20		Hugo.cai		Oct-10-16
X.X ±0.10	SIZE:	APPROVED BY:	DATE:	
X.XX ±0.05	SHEET:	RELEASE LEVEL:	REVISION:	
ANGULAR: ±0.5°				