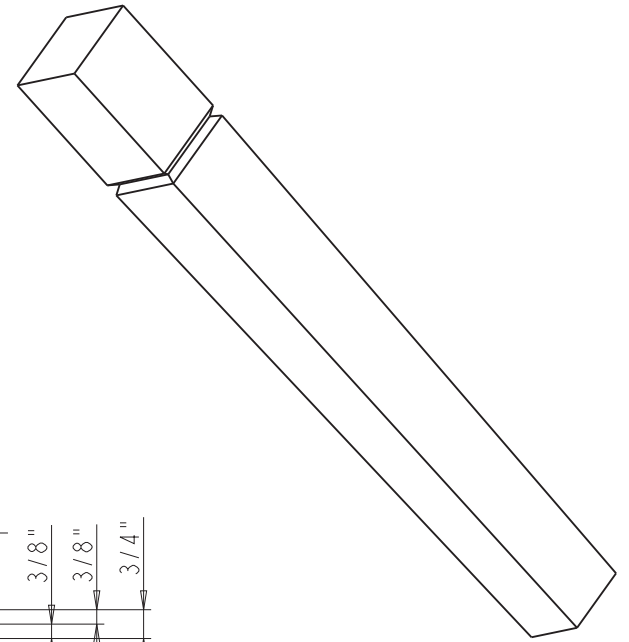


DETAIL A
SCALE 1:5



	ITEM:	P60-5-42		MATERIAL:
	FINISH:			WEIGHT: 0.000
PROPRIETARY AND CONFIDENTIAL THE INFORMATION CONTAINED IN THIS DRAWING IS THE SOLE PROPERTY OF HARDWARE RESOURCES INC. ANY REPRODUCTION IN PART OR AS A WHOLE WITHOUT THE WRITTEN PERMISSION OF HARDWARE RESOURCES INC. IS PROHIBITED.	UNITS: TOLERANCE UNLESS OTHERWISE SPECIFIED: X ±0.20 XX ±0.10 XXX ±0.05 ANGULAR: ±0.5°		DRAWN BY: <i>Hugo cat</i>	DATE: 08/14/14
DO NOT SCALE DRAWING	SIZE: A4 SHEET: 1 OF 1	APPROVED BY:	RELEASE LEVEL:	DATE: REVISION: