



FINISHED GOODS TABLE		
ENGINEERING NUMBER	HR ITEM NUMBER	PRODUCT DESCRIPTION
01-01800133-00	WPO2-530SC	WALL PULLOUT ORGANIZER SYSTEM, WPO2, WIDTH 5
01-01800133-03	WPO2-830SC	WALL PULLOUT ORGANIZER SYSTEM, WPO2, WIDTH 8

THIRD ANGLE PROJECTION


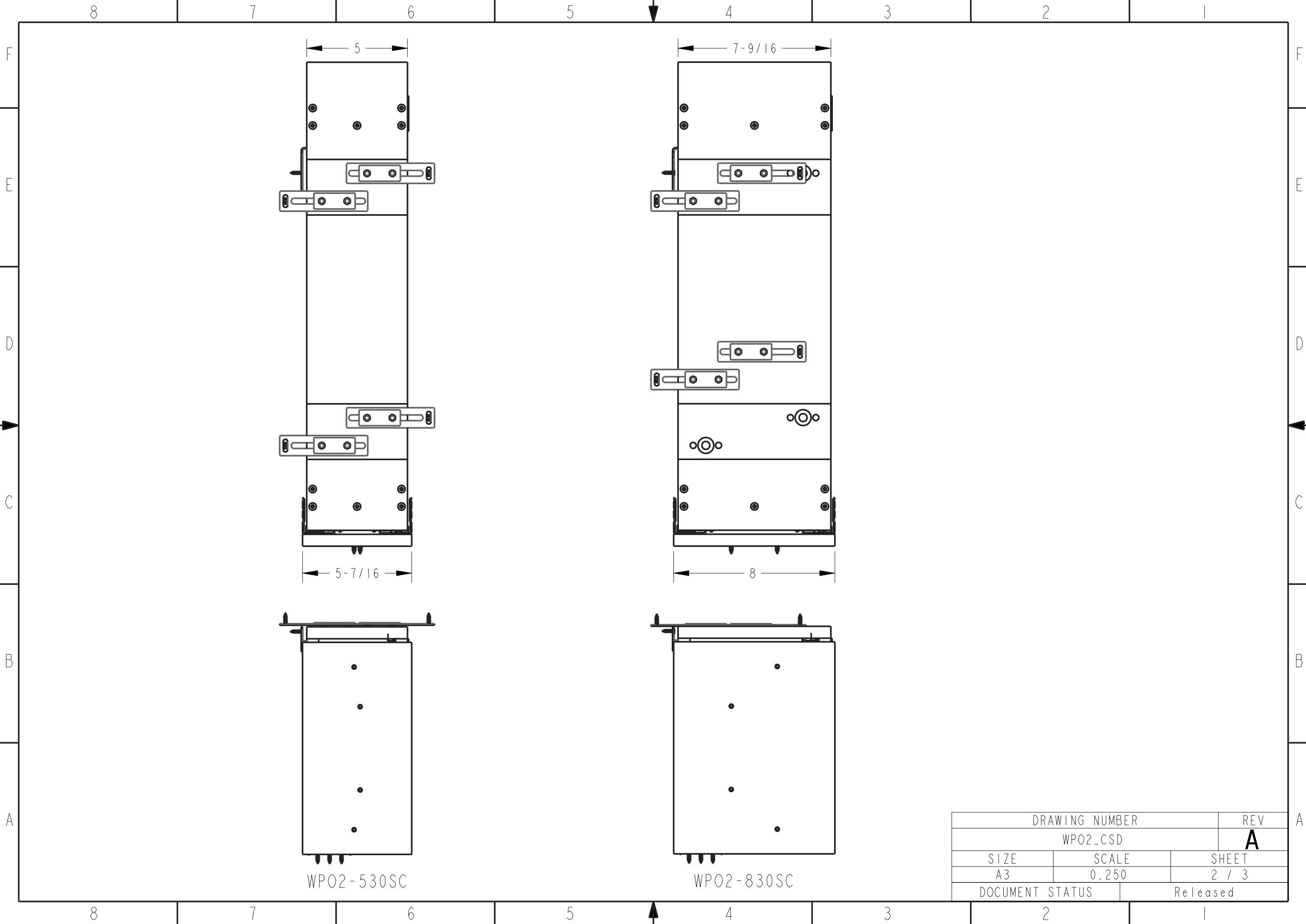
MATERIAL	FINISH
BIRCH PLYWOOD	UV COATING
DRAWN BY JOEL GOMEZ	DATE 23AUG2019
DESIGNED BY JOEL GOMEZ	DATE 23AUG2019
APPROVED BY ALAN CHEN	DATE 26AUG2019

	
WPO, CUSTOMER SALES DRAWING	
DRAWING NUMBER	REV
WPO2_CSD	A
SIZE	SCALE
A3	0.200
SHEET	
1 / 3	

DOCUMENT STATUS Released

HARDWARE RESOURCES RESERVES THE RIGHT TO CHANGE SPECIFICATIONS WITHOUT NOTICE.
 IN CASE OF A DISCREPANCY, ACTUAL PART GEOMETRY SUPERSEDES THIS DOCUMENT.

THE INFORMATION CONTAINED WITHIN THIS DRAWING IS THE SOLE PROPERTY OF HARDWARE RESOURCES INC. ANY REPRODUCTION IN PART OR WHOLE WITHOUT WRITTEN PERMISSION OF HARDWARE RESOURCES INC. IS PROHIBITED.



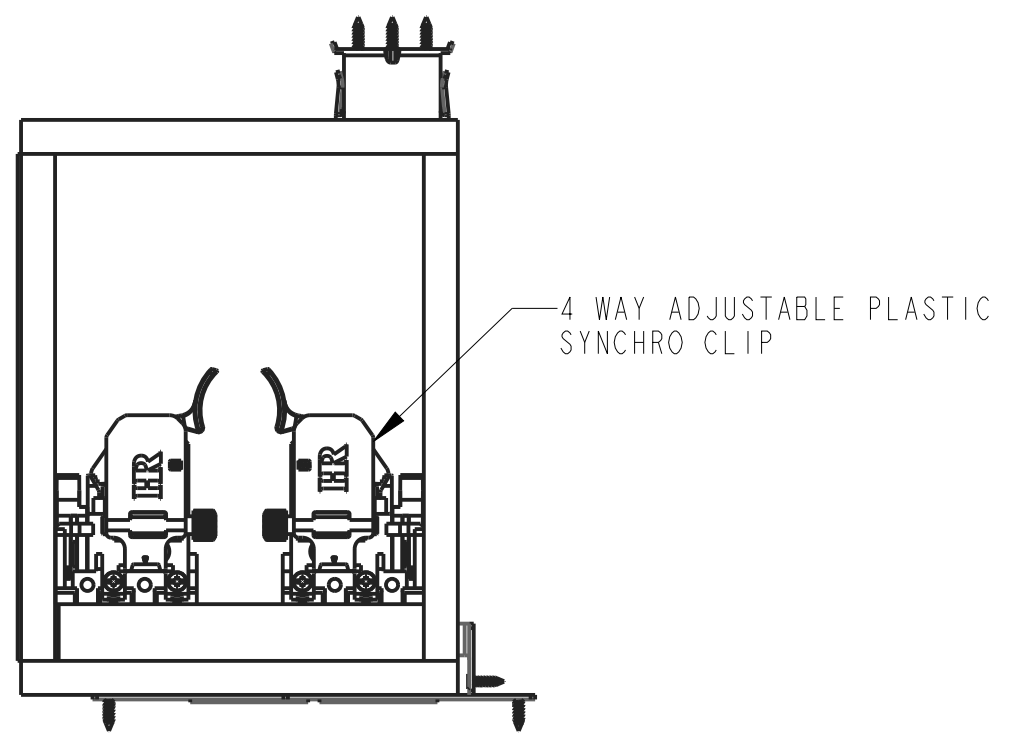
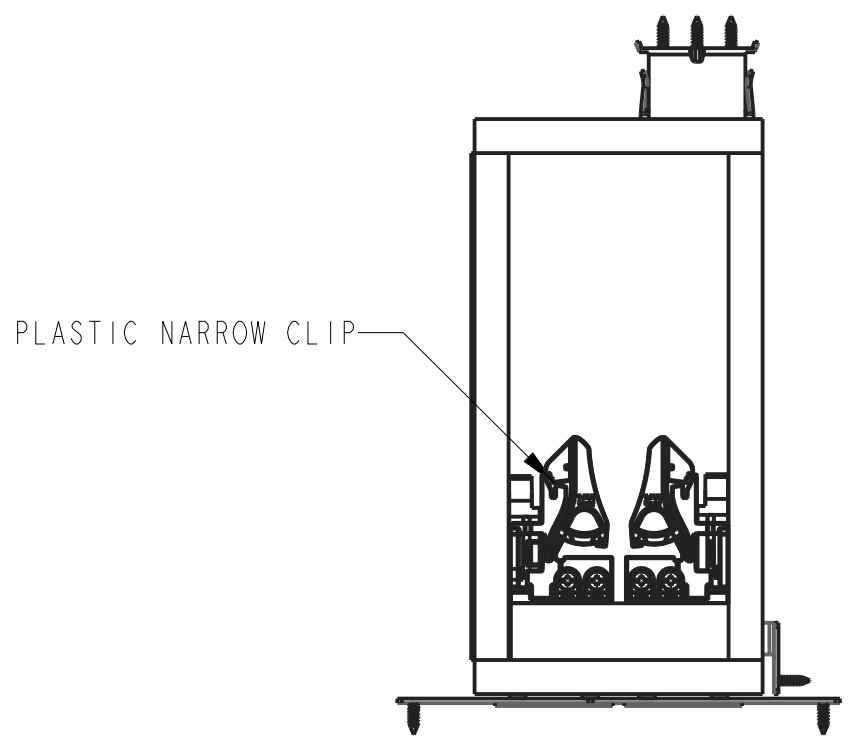
WPO2-530SC

WPO2-830SC

DRAWING NUMBER		REV
WPO2_CSD		A
SIZE	SCALE	SHEET
A3	0.250	2 / 3
DOCUMENT STATUS		Released

8 7 6 5 4 3 2 1

F
E
D
C
B
A



SHOWN DETAILS ON THE UNDERMOUNT SLIDE CLIP

DRAWING NUMBER		REV
WPO2_CSD		A
SIZE	SCALE	SHEET
A3	0.300	3 / 3
DOCUMENT STATUS		Released

8 7 6 5 4 3 2 1