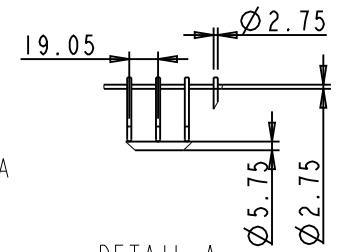
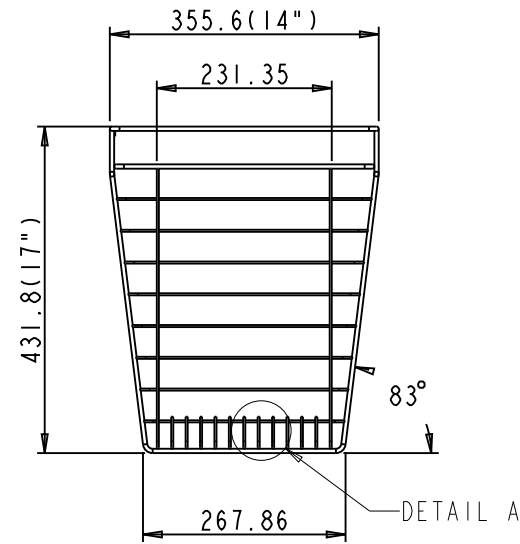
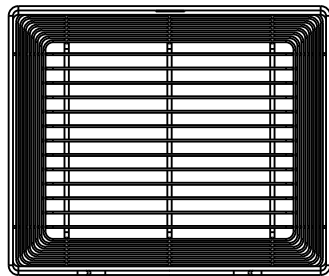


DETAIL B
SCALE 1:2



DETAIL A
SCALE 1:2



| | | |
|--|---|------------------------------|
| | ITEM#: POB1-141717 | MATERIAL: |
| | FINISH: | WEIGHT: 0.000 |
| PROPRIETARY AND CONFIDENTIAL THE INFORMATION CONTAINED IN THIS DRAWING IS THE SOLE PROPERTY OF HARDWARE RESOURCES INC. ANY REPRODUCTION IN PART OR AS A WHOLE WITHOUT THE WRITTEN PERMISSION OF HARDWARE RESOURCES INC. IS PROHIBITED. | TOLERANCE UNLESS OTHERWISE SPECIFIED: X ±0.20 XX ±0.10 XXX ±0.05 ANGULAR: ±0.5° | PROJECTION |
| | UNITS: A4 | DRAWN BY: <i>Alexander W</i> |
| | SIZE: A4 | DATE: 10-19-15 |
| | SHEET: 1 OF 1 | APPROVED BY: _____ |
| DO NOT SCALE DRAWING | RELEASE LEVEL: | DATE: |
| | | REVISION: |