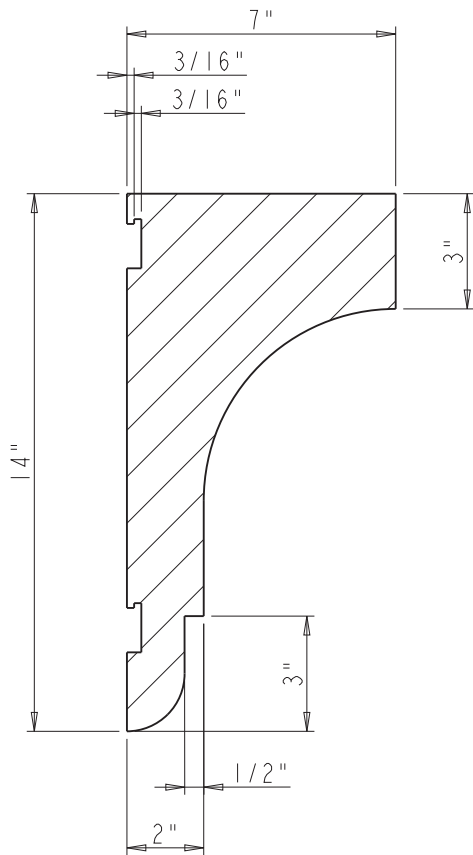
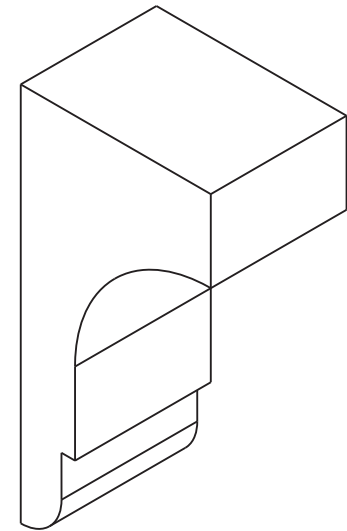
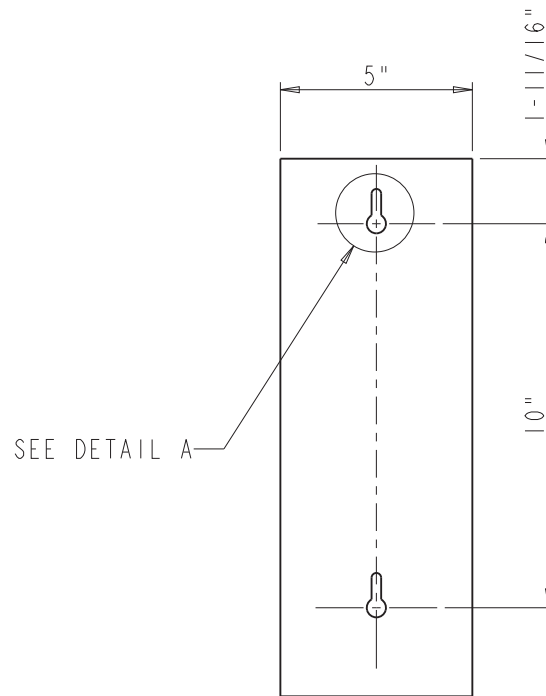


DETAIL A
SCALE 1:2



SECTION A-A



SEE DETAIL A

	ITEM:	COR32-2		MATERIAL:	
	FINISH:			WEIGHT: 0.000 g	
PROPRIETARY AND CONFIDENTIAL THE INFORMATION CONTAINED IN THIS DRAWING IS THE SOLE PROPERTY OF HARDWARE RESOURCES INC. ANY REPRODUCTION IN PART OR AS A WHOLE WITHOUT THE WRITTEN PERMISSION OF HARDWARE RESOURCES INC. IS PROHIBITED.	TOLERANCE UNLESS OTHERWISE SPECIFIED: X ±0.20 XX ±0.10 XXX ±0.05 ANGULAR: ±0.5°		UNITS: A4	DRAWN BY: <i>Hugo.cai</i>	DATE: 09/03/14
	DO NOT SCALE DRAWING		SHEET: 1 OF 1	APPROVED BY:	DATE:
				PROJECTION 	REVISION: