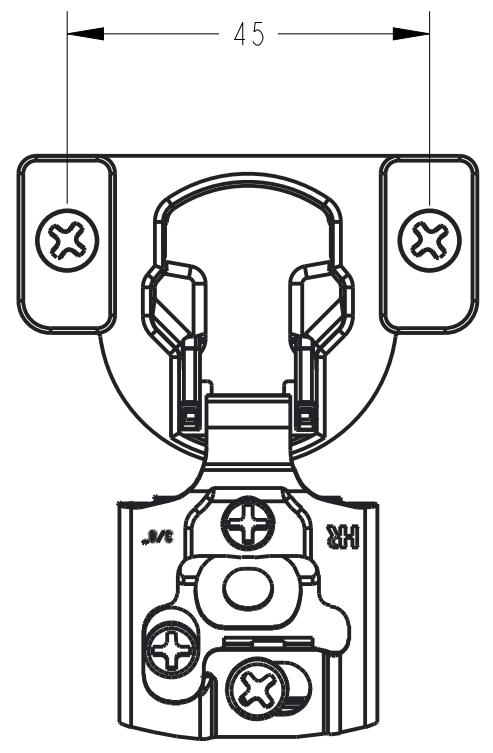
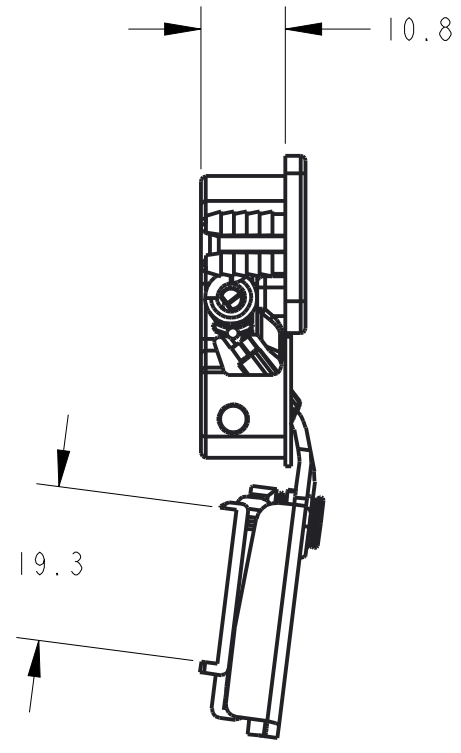
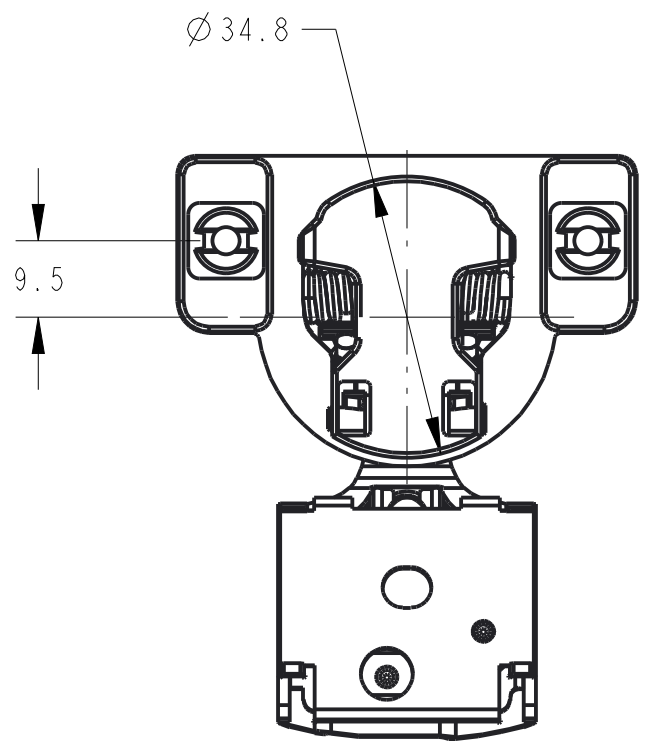


VARIANT TABLE			
HR ITEM NUMBER	PRODUCT DESCRIPTION	A	B
6390-038	6390 HINGE, COMPACT, 3/8" OVERLAY	9.5	5.2
6390-716	6390 HINGE, COMPACT, 7/16" OVERLAY	11.1	4.8
6390-2-000	6390 HINGE, COMPACT, 1/2" OVERLAY	12.7	4.8
6390	6390 HINGE, COMPACT, 1/2" OVERLAY, NO DOWEL	12.7	4.8
6390-6-000	6390 HINGE, COMPACT, 3/4" OVERLAY	19	4.8
6391-000	6390 HINGE, COMPACT, 1" OVERLAY	25.4	5
6394-000	6390 HINGE, COMPACT, 1 1/4" OVERLAY	31.8	5
6393-000	6390 HINGE, COMPACT, 1 3/8" OVERLAY	34.8	5
6392-000	6390 HINGE, COMPACT, 1 1/2" OVERLAY	38	5
6390-058	6390 HINGE, COMPACT, 5/8" OVERLAY	15.8	4.8



THIRD ANGLE PROJECTION	
MATERIAL	FINISH
STEEL	NICKEL PLATE
DRAWN BY	DATE
BAMENKE	08FEB17
DESIGNED BY	DATE
SOURCED	N/A
APPROVED BY	DATE
DMcGREGOR	21FEB17

hardware resources		
DESCRIPTION		
6390 HINGE, COMPACT		
DRAWING NUMBER		REV
6390		B
SIZE	SCALE	SHEET
A3	N/A	1 / 1

DOCUMENT STATUS Released

HARDWARE RESOURCES RESERVES THE RIGHT TO CHANGE SPECIFICATIONS WITHOUT NOTICE. IN CASE OF A DISCREPANCY, ACTUAL PART GEOMETRY SUPERSEDES THIS DOCUMENT.

THE INFORMATION CONTAINED WITHIN THIS DRAWING IS THE SOLE PROPERTY OF HARDWARE RESOURCES INC. ANY REPRODUCTION IN PART OR WHOLE WITHOUT WRITTEN PERMISSION OF HARDWARE RESOURCES INC. IS PROHIBITED.