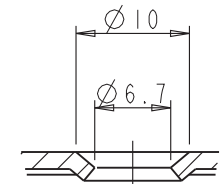
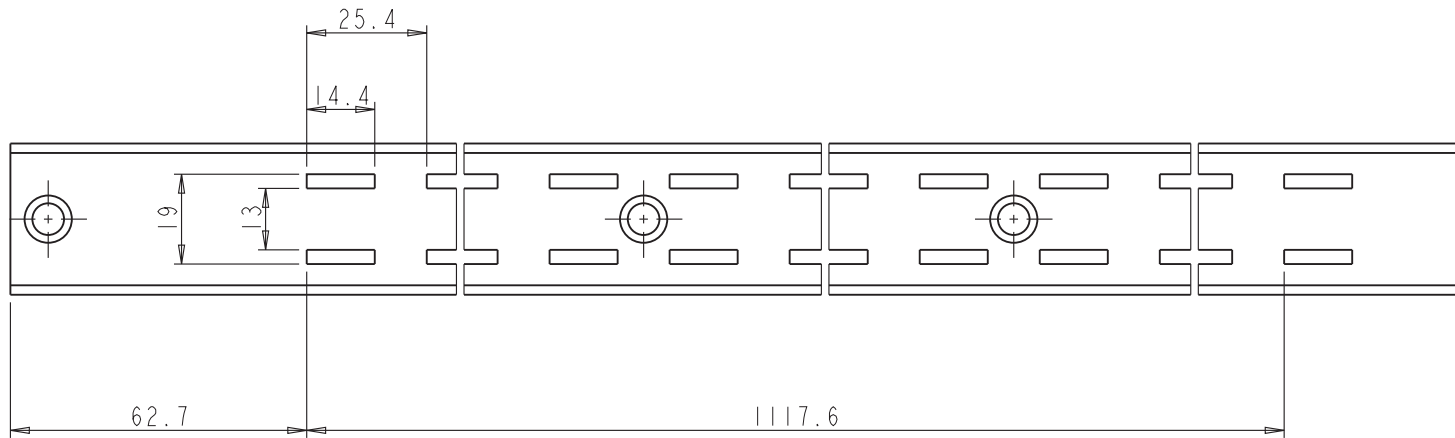


SECTION A-A
DETAIL 5:8



DETAIL A
SCALE 3:2

<p>hardware resources</p> <p>PROPRIETARY AND CONFIDENTIAL</p> <p>THE INFORMATION CONTAINED IN THIS DRAWING IS THE SOLE PROPERTY OF HARDWARE RESOURCES INC. ANY REPRODUCTION IN PART OR AS A WHOLE WITHOUT THE WRITTEN PERMISSION OF HARDWARE RESOURCES INC. IS PROHIBITED.</p>	ITEM:	TRK05-48		MATERIAL:	STEEL	
	FINISH:			WEIGHT:	726.41 g	
	TOLERANCE UNLESS OTHERWISE SPECIFIED:			UNITS:	MM	DRAWN BY:
	X ±0.20 X.X ±0.10 X.XX ±0.05 ANGULAR: ±0.5°			SIZE:	APPROVED BY:	DATE:
DO NOT SCALE DRAWING			SHEET:	RELEASE LEVEL:	REVISION:	