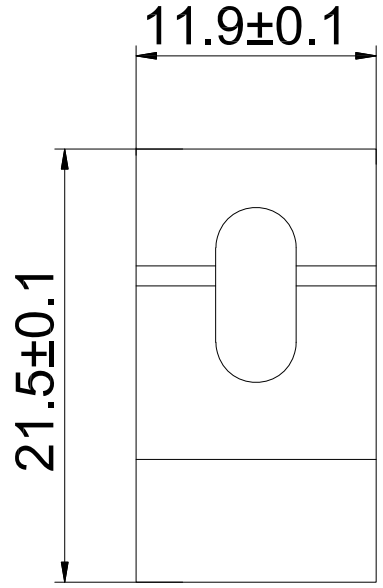
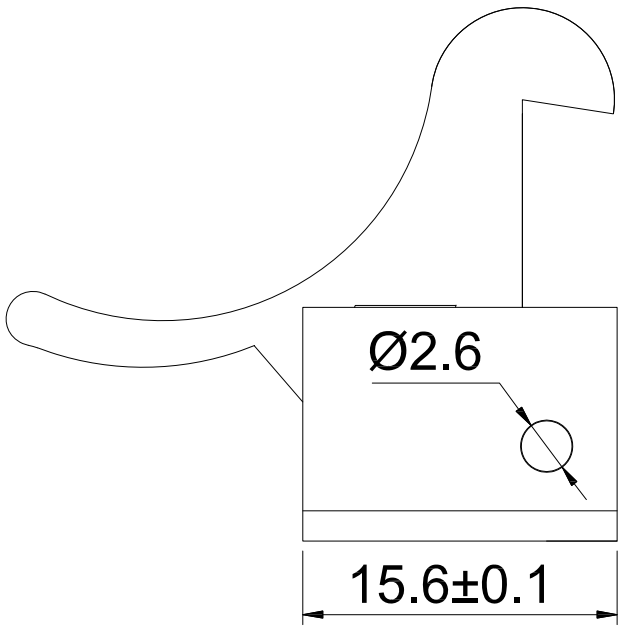
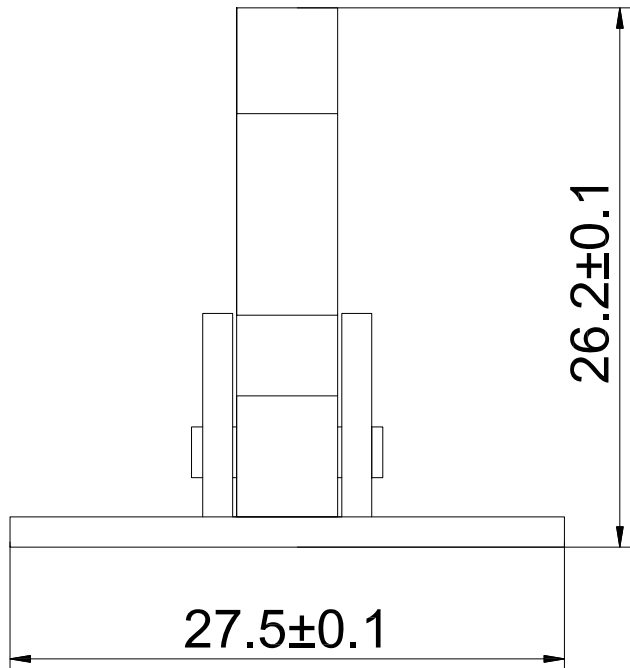


8 | 7 | 6 | 5 | 4 | 3 | 2 | 1

THE INFORMATION CONTAINED IN THIS DRAWING IS THE SOLE PROPERTY OF HARDWARE RESOURCES INC. ANY REPRODUCTION IN PART OR AS A WHOLE WITHOUT THE WRITTEN PREMISSION OF HARDWARE RESOURCES INC. IS PROHIBITED.

| R E V I S I O N S | | | | |
|-------------------|-----|-------------|------|----------|
| ECO | REV | DESCRIPTION | DATE | APPROVED |
| | | | | |
| | | | | |
| | | | | |



UNIT: MM

| | |
|--|-------|
| UNLESS OTHERWISE SPECIFIED DIM ARE IN MILLIMETERS (mm) | |
| GENERAL TOLERANCES | |
| 0.00 - 14.99 | ±0.10 |
| 15.00 - 39.99 | ±0.20 |
| 40.00 - 74.99 | ±0.30 |
| 75.00 - 99.99 | ±0.45 |
| 100.00 - 199.99 | ±0.70 |
| 200.00 - 299.99 | ±1.00 |
| 300.00 - | ±1.10 |
| ANGLE | ±1.0° |

| | |
|------------------------|--------|
| THIRD ANGLE PROJECTION | |
| | |
| MATERIAL | FINISH |
| CU H54-H59 | NICKEL |
| DRAWN BY | DATE |
| DESIGNED BY | DATE |
| APPROVED BY | DATE |

hardware resources

TITLE: HEAVY DUTY ELBOW CATCH.

| | |
|----------------|----------------|
| DRAWING NUMBER | REV |
| EC02-NI | proj_revisi on |
| SIZE: A3 | RELEASE LEVEL |
| SCALE: 1:1 | SHEET: 1 OF 1 |

8 | 7 | 6 | 5 | 4 | 3 | 2 | 1