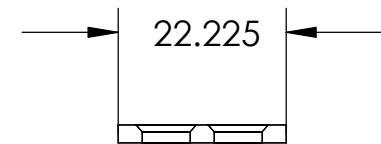
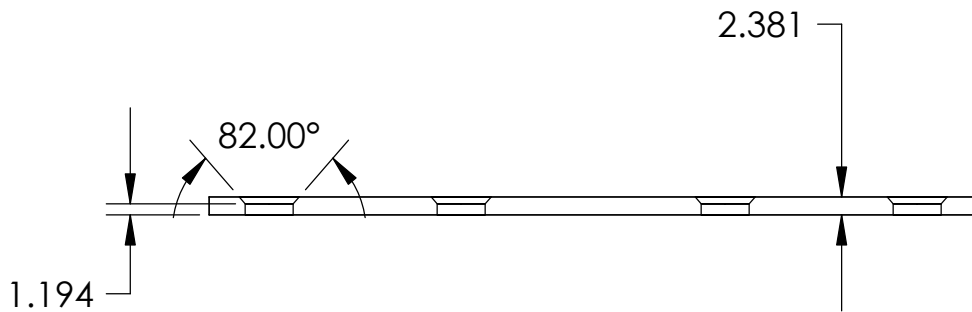


Ø 6.35 MM Hole for #8 Screw ( 4 places)



Drawn by: Udhay.N	Scale: 1:1	Date: 01/12/05
----------------------	---------------	-------------------

HARDWARE RESOURCES

4319 MARLENA ST, BOSSIER CITY, LA71111

PART NAME: 4" MENDING PLATE

MATERIAL: HRS / CRS

ITEM NO: 9317

PLATING: ZINC

TOLERANCES  
UNLESS OTHERWISE SPECIFIED  
TOLERANCES ARE IN METRIC

OVER ALL LENGTH ±0.1MM  
ANGLES ±0° 30'

\* - Critical Dimensions

Sheet 1/1

5

4

3

2

1