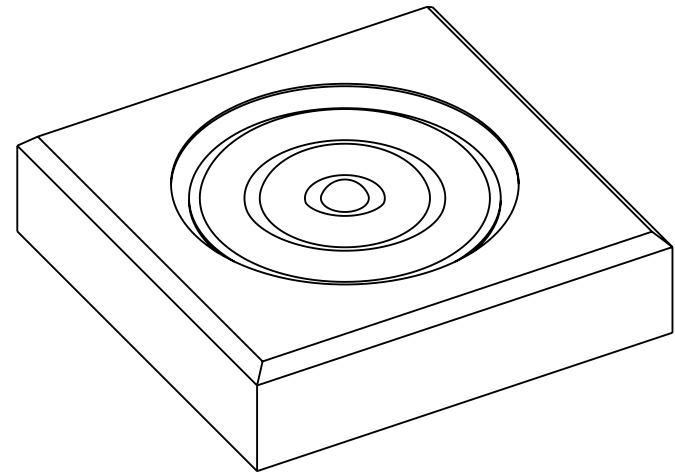
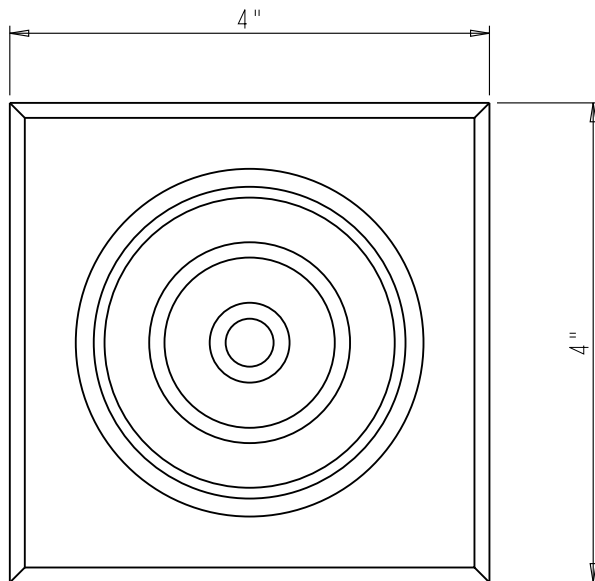


SECTION A-A



	ITEM: ROS4		MATERIAL:		
	FINISH:		WEIGHT: 9		
PROPRIETARY AND CONFIDENTIAL THE INFORMATION CONTAINED IN THIS DRAWING IS THE SOLE PROPERTY OF HARDWARE RESOURCES INC. ANY REPRODUCTION IN PART OR AS A WHOLE WITHOUT THE WRITTEN PERMISSION OF HARDWARE RESOURCES INC. IS PROHIBITED.	TOLERANCE UNLESS OTHERWISE SPECIFIED: X : MM ±0.20 XX : MM ±0.10 XXX : MM ±0.05 ANGULAR: ±0.5° DO NOT SCALE DRAWING		UNIT:	DRAWN BY: <i>alan.liu</i>	DATE:
	SIZE:	CHECKED BY:	DATE:		
	APPROVED BY:		DATE:		
	PROJECTION:				