

\* - Critical Dimensions

Sheet 1/1

Drawn by: Udhay.N	Scale: 1:1	Date: 12/13/04	HARDWARE RESOURCES
<p>TOLERANCES</p> <p>UNLESS OTHERWISE SPECIFIED TOLERANCES ARE IN METRIC</p> <p>OVER ALL LENGTH <math>\pm 0.1\text{MM}</math> ANGLES <math>\pm 0^\circ 30'</math></p>			4319 MARLENA ST, BOSSIER CITY, LA71111
			PART NAME: 5 MM SPOON
			MATERIAL: HOT ROLLED STEEL
			ITEM NO: 306
			PLATING: AB PB BLK BN AC

5

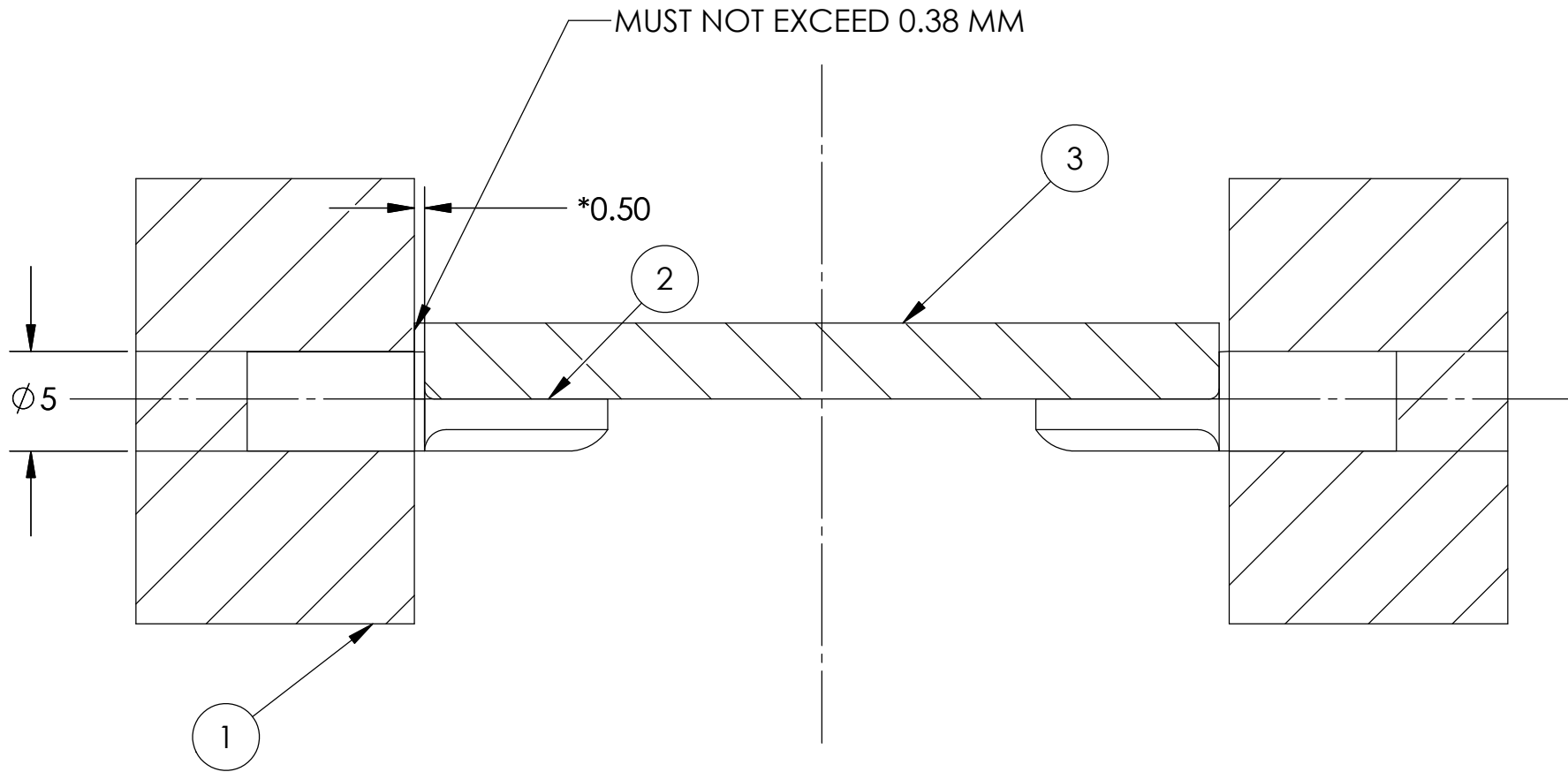
4

3

2

1

# APPLICATION



- 1. WOOD
- 2. METAL SHELF PIN
- 3. WOOD PLANK

Drawn by: Udhay.N	Scale: 1:1	Date: 12/13/04
----------------------	---------------	-------------------

HARDWARE RESOURCES

4319 MARLENA ST, BOSSIER CITY, LA71111

### TOLERANCES

UNLESS OTHERWISE SPECIFIED  
TOLERANCES ARE IN METRIC

OVER ALL LENGTH	±0.1MM
ANGLES	±0° 30'

PART NAME:

MATERIAL:

ITEM NO:

PLATING:

\* - Critical Dimensions

Sheet 2/2

5

4

3

2

1