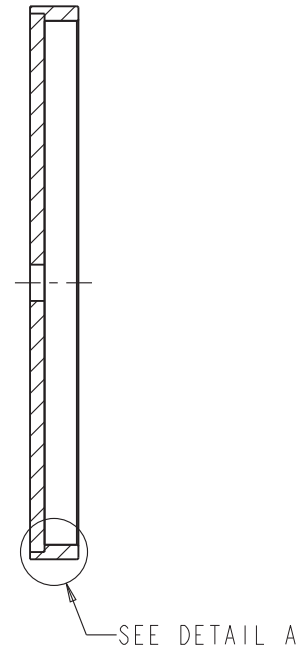
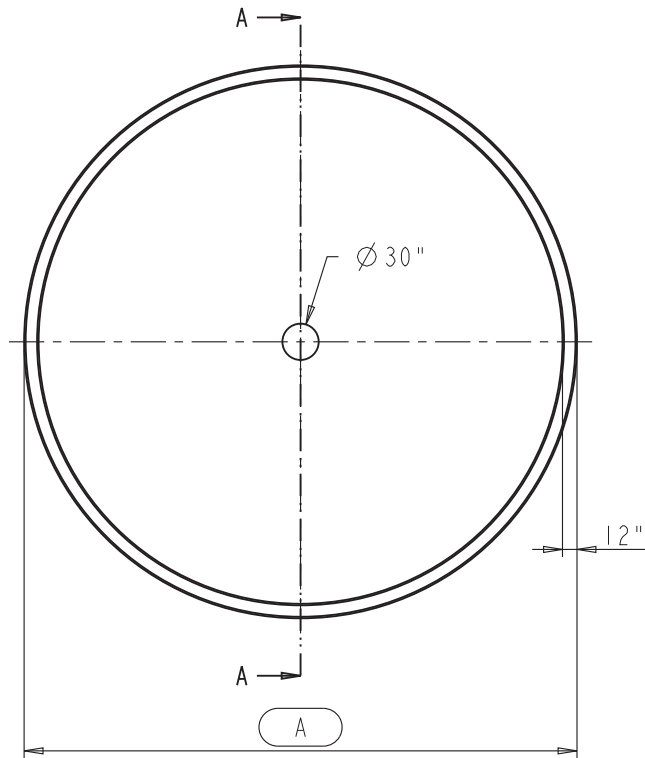
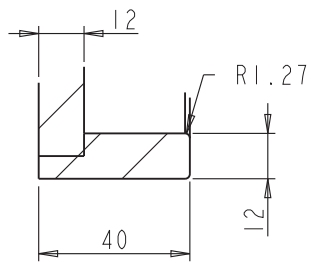
 hardware resources	ITEM#: BLSR-SET		MATERIAL:		
	FINISH:		WEIGHT:		
<p>PROPRIETARY AND CONFIDENTIAL</p> <p>THE INFORMATION CONTAINED IN THIS DRAWING IS THE SOLE PROPERTY OF HARDWARE RESOURCES INC. ANY REPRODUCTION IN PART OR AS A WHOLE WITHOUT THE WRITTEN PERMISSION OF HARDWARE RESOURCES INC. IS PROHIBITED.</p>	UNITS:		DRAWN BY:	DATE:	
	TOLERANCE UNLESS OTHERWISE SPECIFIED: X ±0.20 X.X ±0.10 X.XX ±0.05 ANGULAR: ±0.5°		SIZE: A4	APPROVED BY:	DATE:
	DO NOT SCALE DRAWING		SHEET: 1 OF 1	RELEASE LEVEL:	REVISION:



Spec Sheet:

Item NO.	A
BLSR18	457.2
BLSR20	508
BLSR24	609.6
BLSR28	711.2



DETAIL A
SCALE 1:2

	ITEM: BLSR		MATERIAL:			
	FINISH:		WEIGHT:			
<p>PROPRIETARY AND CONFIDENTIAL</p> <p>THE INFORMATION CONTAINED IN THIS DRAWING IS THE SOLE PROPERTY OF HARDWARE RESOURCES INC. ANY REPRODUCTION IN PART OR AS A WHOLE WITHOUT THE WRITTEN PERMISSION OF HARDWARE RESOURCES INC. IS PROHIBITED.</p>	<p>TOLERANCE UNLESS OTHERWISE SPECIFIED:</p> <p>X ±0.20</p> <p>X.X ±0.10</p> <p>X.XX ±0.05</p> <p>ANGULAR: ±0.5°</p>		<p>UNITS: MM</p>	<p>DRAWN BY: <i>Alan Liu</i></p>	<p>DATE:</p>	
	<p>DO NOT SCALE DRAWING</p>		<p>SIZE: A4</p>	<p>APPROVED BY:</p>	<p>DATE:</p>	
			<p>SHEET: 1 OF 1</p>	<p>RELEASE LEVEL:</p>	<p>REVISION:</p>	<p>9</p>
			<p>PROJECTION </p>			