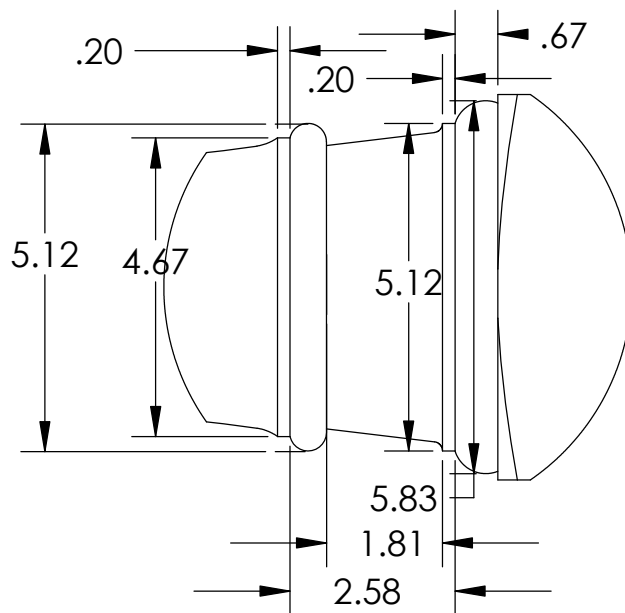
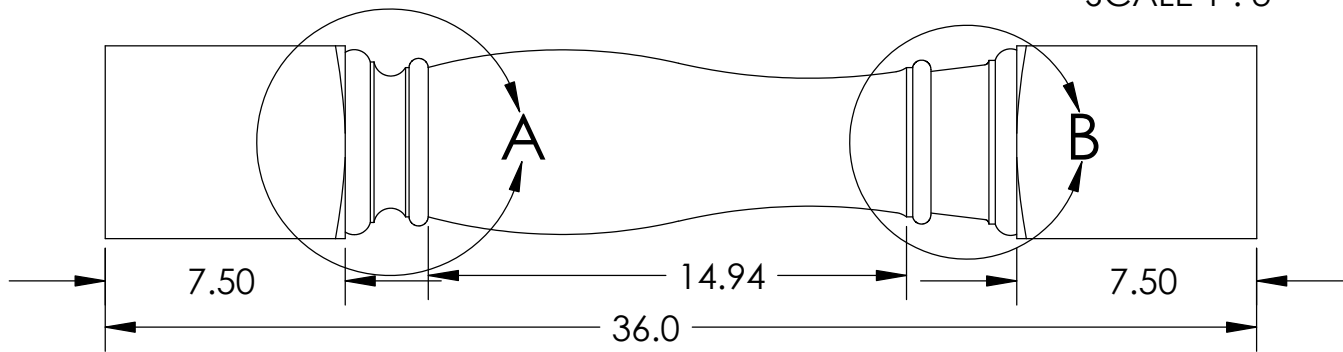
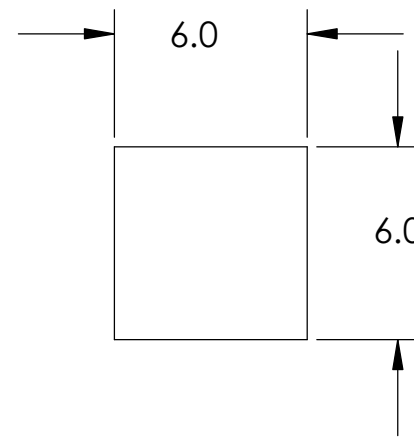


DETAIL A  
SCALE 1 : 3



DETAIL B  
SCALE 1 : 3



Drawn by: Udhay.N	Scale: 1:1	Date:	HARDWARE RESOURCES	
<p style="text-align: center;">TOLERANCES</p> <p style="text-align: center;">UNLESS OTHERWISE SPECIFIED TOLERANCES ARE IN METRIC</p> <p style="text-align: center;">OVER ALL LENGTH     <math>\pm 0.1\text{MM}</math> ANGLES                     <math>\pm 0^\circ 30'</math></p>			4319 MARLENA ST, BOSSIER CITY, LA71111	
			PART NAME: POST	
			MATERIAL: MAPLE	
			ITEM NO: P1 6-36	
			PLATING: HR	

\* - Critical Dimensions

Sheet