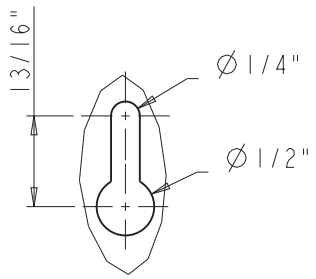
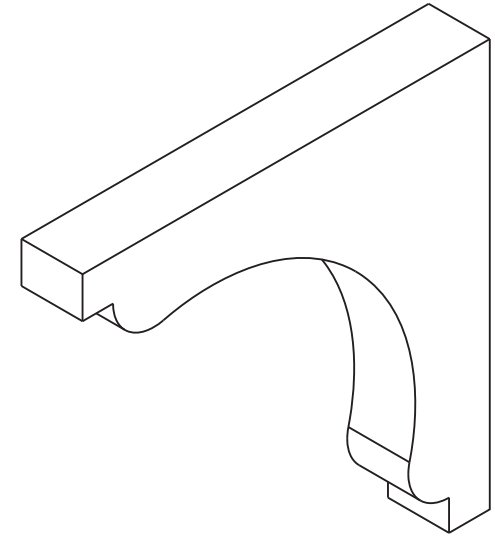


SEE DETAIL A



DETAIL A
SCALE 3:5

| | | | | | |
|--|---|---------|----------------------------------|---|-------------------------------------|
| | ITEM: | COR28-2 | | MATERIAL: | |
| | FINISH: | | | WEIGHT: | |
| PROPRIETARY AND CONFIDENTIAL THE INFORMATION CONTAINED IN THIS DRAWING IS THE SOLE PROPERTY OF HARDWARE RESOURCES INC. ANY REPRODUCTION IN PART OR AS A WHOLE WITHOUT THE WRITTEN PERMISSION OF HARDWARE RESOURCES INC. IS PROHIBITED. | TOLERANCE UNLESS OTHERWISE SPECIFIED: X ±0.20 XX ±0.10 XXX ±0.05 ANGULAR: ±0.5° DO NOT SCALE DRAWING | | UNITS: SIZE: A4 SHEET: | DRAWN BY: APPROVED BY: RELEASE LEVEL: | DATE: DATE: REVISION: |
| | PROJECTION | | | | |
| | | | | | |
| | | | | | |