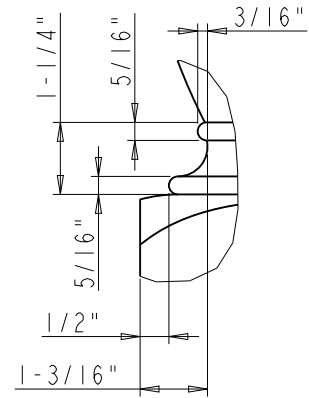
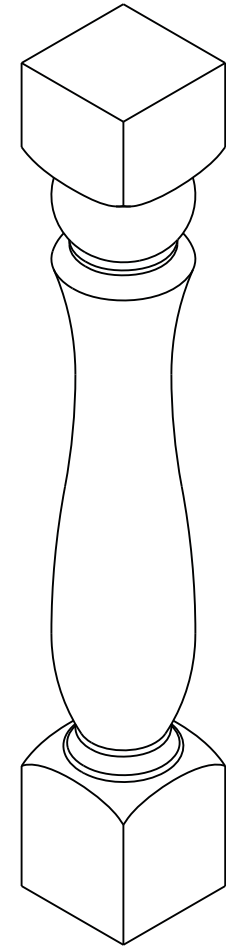


DETAIL A  
SCALE 3:10



DETAIL B  
SCALE 3:10



	ITEM:	P81-6-42		MATERIAL:
	FINISH:			WEIGHT:
<p><b>PROPRIETARY AND CONFIDENTIAL</b></p> <p>THE INFORMATION CONTAINED IN THIS DRAWING IS THE SOLE PROPERTY OF HARDWARE RESOURCES INC. ANY REPRODUCTION IN PART OR AS A WHOLE WITHOUT THE WRITTEN PERMISSION OF HARDWARE RESOURCES INC. IS PROHIBITED.</p>	<p>PROJECTION</p>		DATE:	06-05-15
	TOLERANCE UNLESS OTHERWISE SPECIFIED:	UNITS:	DRAWN BY:	DATE:
	X ±0.30	SIZE:	Hugo.cai	
	X.X ±0.10	A4	APPROVED BY:	DATE:
X.XX ±0.05	SHEET:	RELEASE LEVEL:	REVISION:	
ANGULAR: ±0.6°	1 OF 1			
DO NOT SCALE DRAWING				