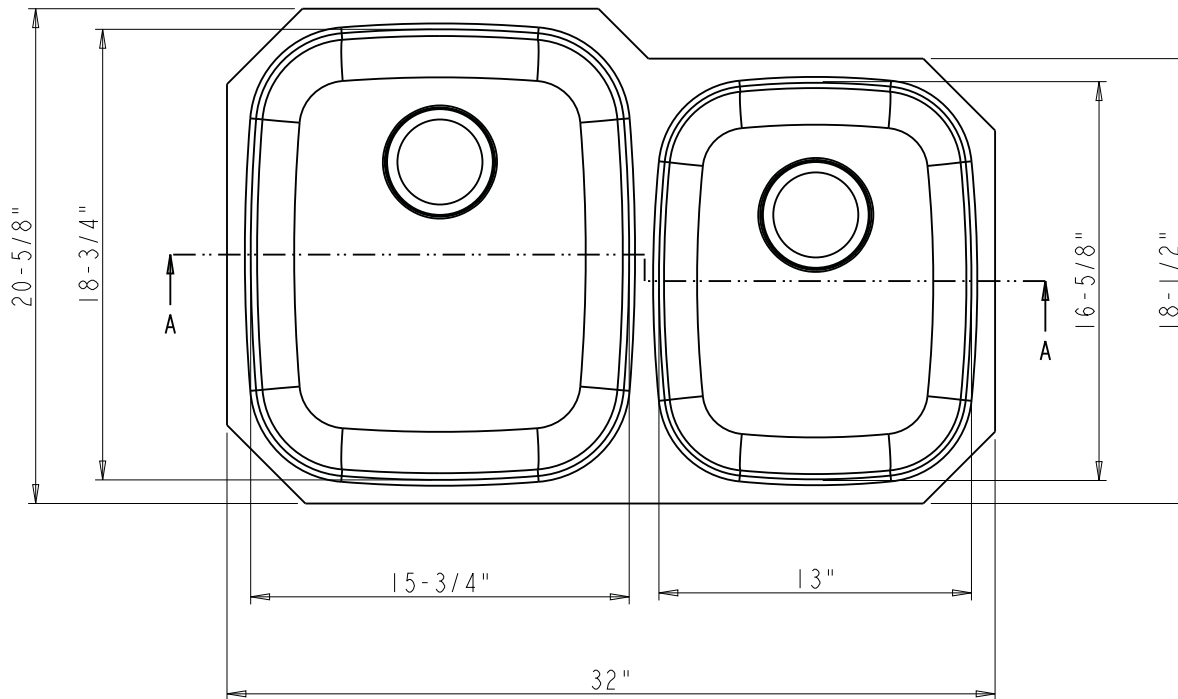
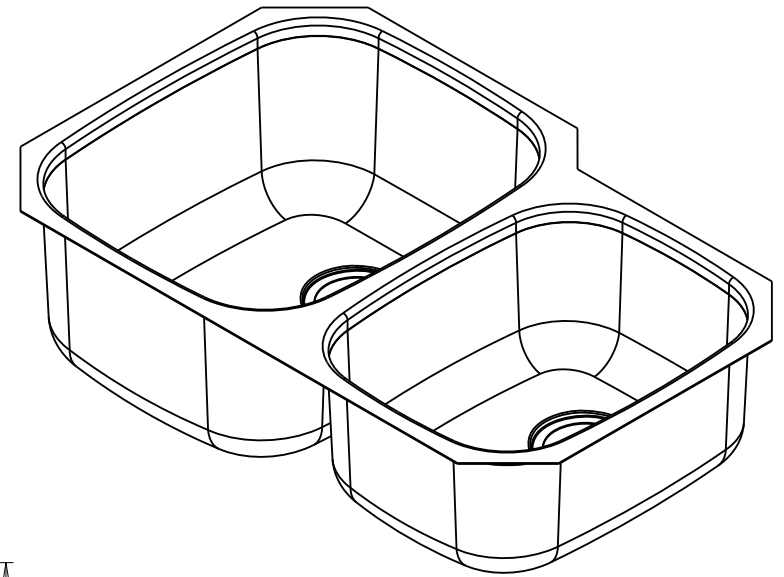



SECTION A-A
SCALE 1:8



	ITEM#: 801L-18		MATERIAL: 18 Gauge, 304SS	
	FINISH:		WEIGHT: 9	
<p>PROPRIETARY AND CONFIDENTIAL</p> <p>THE INFORMATION CONTAINED IN THIS DRAWING IS THE SOLE PROPERTY OF HARDWARE RESOURCES INC. ANY REPRODUCTION IN PART OR AS A WHOLE WITHOUT THE WRITTEN PERMISSION OF HARDWARE RESOURCES INC. IS PROHIBITED.</p>	<p>TOLERANCE UNLESS OTHERWISE SPECIFIED:</p> <p>X ±0.20</p> <p>X.X ±0.10</p> <p>X.XX ±0.05</p> <p>ANGULAR: ±0.5°</p>		<p>UNITS:</p>	<p>DATE:</p> <p>12-23-15</p>
	DO NOT SCALE DRAWING		<p>DRAWN BY:</p> <p>Hugo.cai</p>	<p>DATE:</p>
			<p>APPROVED BY:</p>	<p>DATE:</p>
			<p>RELEASE LEVEL:</p>	<p>REVISION:</p>