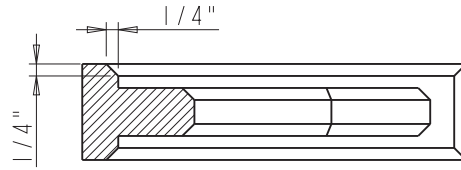
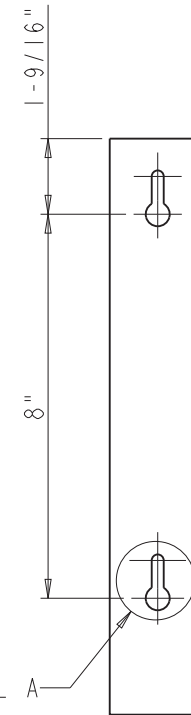
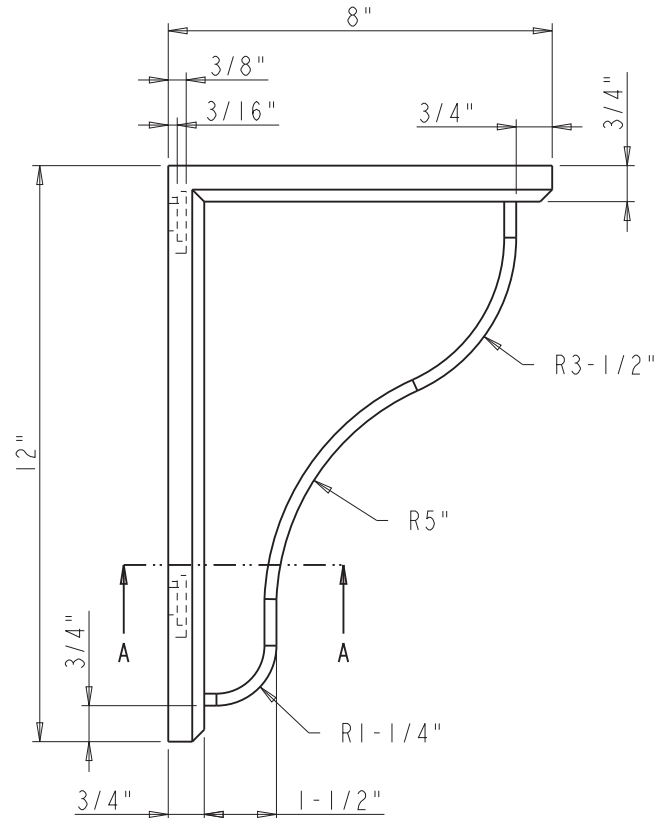
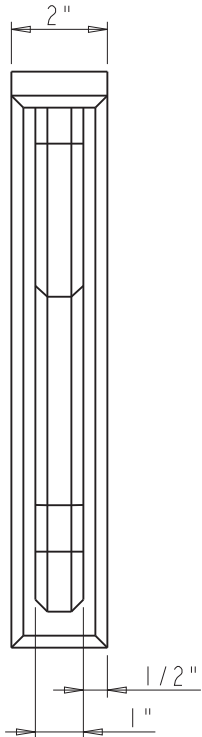
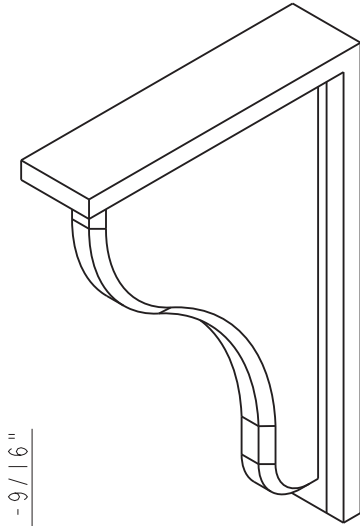


DETAIL A
SCALE 1:2



SECTION A-A



SEE DETAIL A

	ITEM:	CORM-1		MATERIAL:
	FINISH:			WEIGHT:
PROPRIETARY AND CONFIDENTIAL THE INFORMATION CONTAINED IN THIS DRAWING IS THE SOLE PROPERTY OF HARDWARE RESOURCES INC. ANY REPRODUCTION IN PART OR AS A WHOLE WITHOUT THE WRITTEN PERMISSION OF HARDWARE RESOURCES INC. IS PROHIBITED.	UNITS:		DRAWN BY:	DATE:
	TOLERANCE UNLESS OTHERWISE SPECIFIED: X ±0.20 XX ±0.10 XXX ±0.05 ANGULAR: ±0.6°		SIZE: A4	<i>Hugo cat</i> APPROVED BY:
DO NOT SCALE DRAWING	SHEET:	1 OF 1	RELEASE LEVEL:	REVISION: