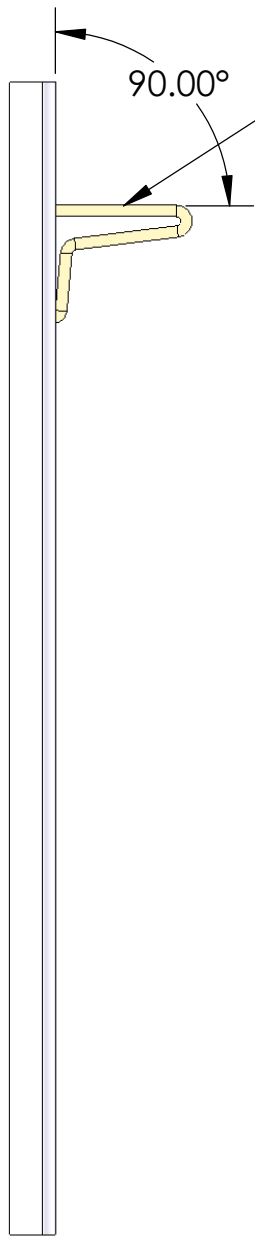
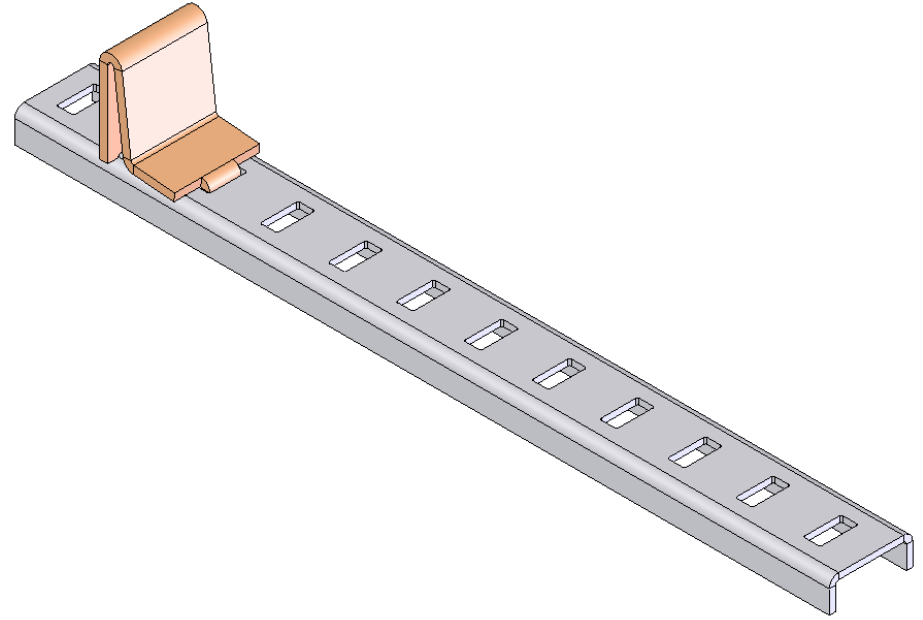


Drawn by: Udhay.N	Scale: 1:1	Date:	HARDWARE RESOURCES	
<p style="text-align: center;">TOLERANCES</p> <p style="text-align: center;">UNLESS OTHERWISE SPECIFIED DIMENSIONS AND TOLERANCING ARE IN MILLIMETERS(INCHES)</p> <p style="text-align: center;">.X±0.1 .XX±0.03 .XXX±0.005</p>			4319 MARLENA ST, BOSSIER CITY, LA71111	
			PART NAME:	
			MATERIAL:	
			ITEM NO:	
			PLATING:	

Sheet



NOTE:
THIS SURFACE MUST BE PERPENDICULR TO THE RACK
THE CLIP IS A PRESS FIT



Drawn by: Udhay.N	Scale: 1:1	Date:	HARDWARE RESOURCES	
<p style="text-align: center;">TOLERANCES</p> <p style="text-align: center;">UNLESS OTHERWISE SPECIFIED TOLERANCES ARE IN METRIC</p> <p>OVER ALL LENGTH $\pm 0.1\text{MM}$ ANGLES $\pm 0^\circ 30'$</p>			4319 MARLENA ST, BOSSIER CITY, LA71111	
			PART NAME: HR	
			MATERIAL: HR	
			ITEM NO: HR	
			PLATING: HR	

* - Critical Dimensions

Sheet