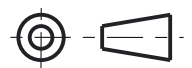


13/16
MINIMUM
CLEARANCE
ABOVE CABINET
INTERIOR BASE

| FINISHED GOODS TABLE / 完成品表 | | |
|-----------------------------|--------------------------|------------------------------|
| ENGINEERING NUMBER 工程料号 | HR ITEM NUMBER 海威产品编号 | PRODUCT DESCRIPTION / 产品描述 |
| 00-01700113-32 | HMLS-P-3212 | 32" HMLS PLASTIC TRAY SYSTEM |
| 00-01700113-35 | HMLS-P-3515 | 35" HMLS PLASTIC TRAY SYSTEM |
| 00-01700113-38 | HMLS-P-3818 | 38" HMLS PLASTIC TRAY SYSTEM |

THIRD ANGLE PROJECTION



| | | | | |
|-------------------------|-----------------|--|-----------------|----------------|
| MATERIAL N/A | FINISH N/A | DESCRIPTION HMLS, PLASTIC TRAY SYSTEM, CUSTOMER SALES DRAWING | | |
| DRAWN BY A. CHEN | DATE 25AUG17 | | | |
| DESIGNED BY A. CHEN | DATE 25JUL17 | DRAWING NUMBER HMLS-P-TTCC | REV A | |
| APPROVED BY R. LAIRD | DATE 05SPT17 | SIZE A3 | SCALE 0.125 | SHEET 1 / 5 |

DOCUMENT STATUS Released

HARDWARE RESOURCES RESERVES THE RIGHT TO CHANGE SPECIFICATIONS WITHOUT NOTICE.
IN CASE OF A DISCREPANCY, ACTUAL PART GEOMETRY SUPERSEDES THIS DOCUMENT.

THE INFORMATION CONTAINED WITHIN THIS DRAWING IS THE SOLE PROPERTY OF HARDWARE RESOURCES INC. ANY REPRODUCTION IN PART OR WHOLE WITHOUT WRITTEN PERMISSION OF HARDWARE RESOURCES INC. IS PROHIBITED.

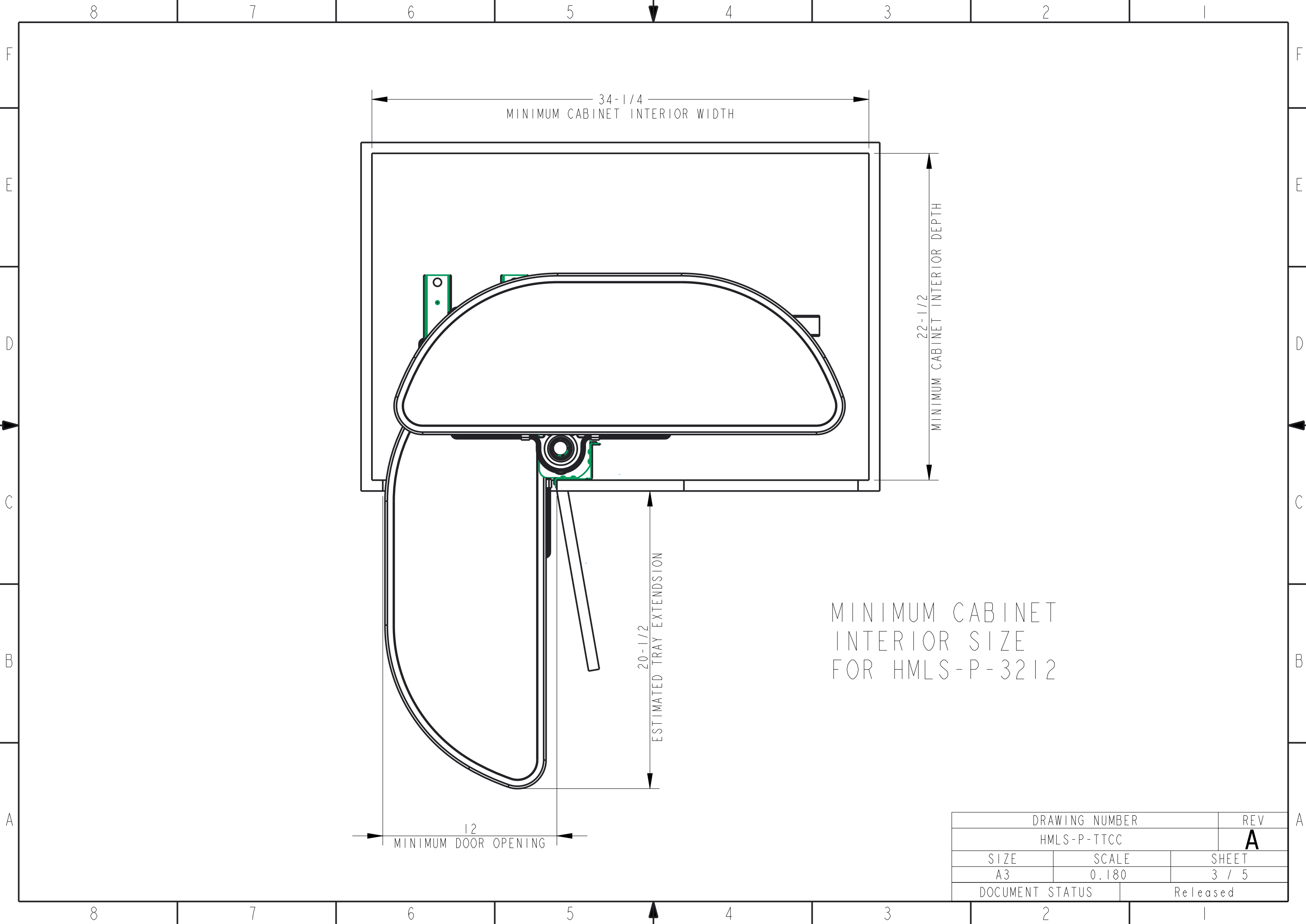
PRE-ASSEMBLED
WOOD TRY, SLIDE,
AND CASTING BRACKET
SUB-ASSEMBLY

PRE-ASSEMBLED SELF-ALIGNING
UPPER HUB SUPPORT BRACKET SUB-ASSEMBLY

PRE-ASSEMBLED POLE AND END CAPS

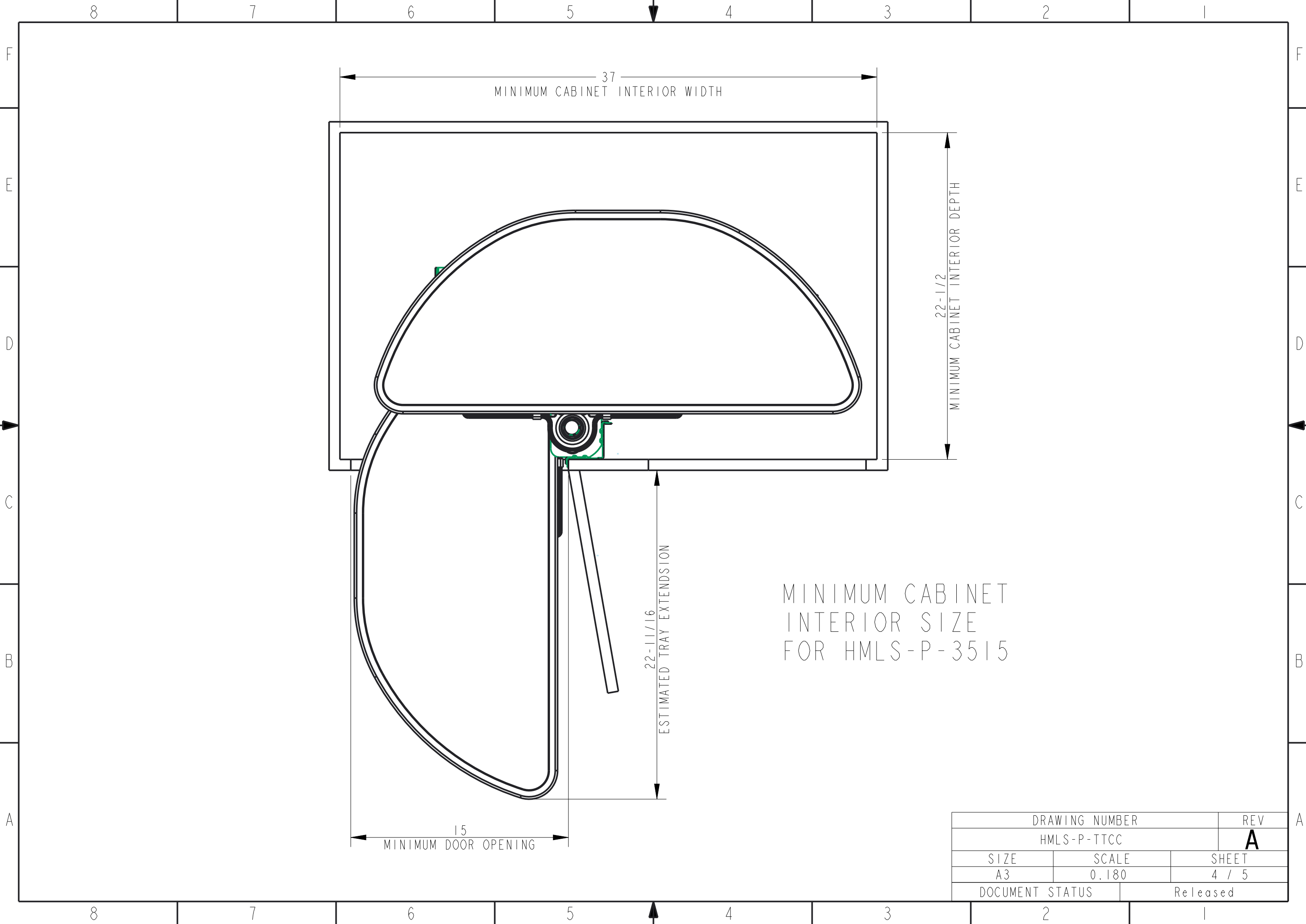
PRE-ASSEMBLED SELF-ALIGNING
LOWER HUB SUPPORT BRACKET SUB-ASSEMBLY

| | | |
|-----------------|-------|----------|
| DRAWING NUMBER | | REV |
| HMLS-P-TTCC | | A |
| SIZE | SCALE | SHEET |
| A3 | 0.180 | 2 / 5 |
| DOCUMENT STATUS | | Released |



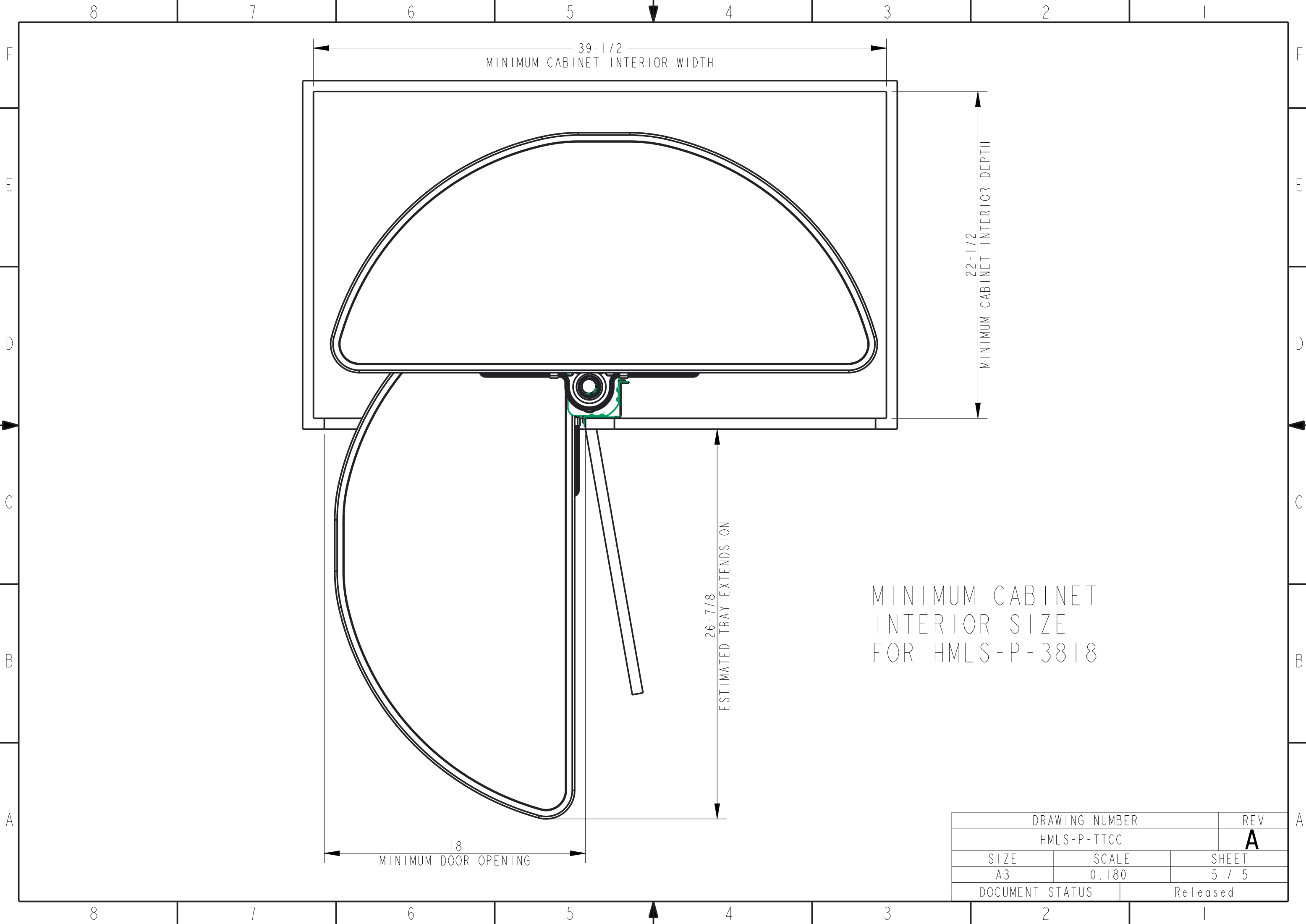
MINIMUM CABINET
 INTERIOR SIZE
 FOR HMLS-P-3212

| | | |
|-----------------|-------|----------|
| DRAWING NUMBER | | REV |
| HMLS-P-TTCC | | A |
| SIZE | SCALE | SHEET |
| A3 | 0.180 | 3 / 5 |
| DOCUMENT STATUS | | Released |



MINIMUM CABINET
INTERIOR SIZE
FOR HMLS-P-3515

| | | |
|-----------------|-------|----------|
| DRAWING NUMBER | | REV |
| HMLS-P-TTCC | | A |
| SIZE | SCALE | SHEET |
| A3 | 0.180 | 4 / 5 |
| DOCUMENT STATUS | | Released |



| | | |
|-----------------|-------|----------|
| DRAWING NUMBER | | REV |
| HMLS-P-TTCC | | A |
| SIZE | SCALE | SHEET |
| A3 | 0.180 | 5 / 5 |
| DOCUMENT STATUS | | Released |