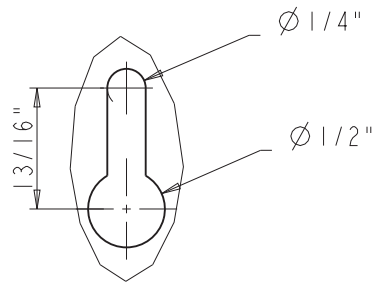
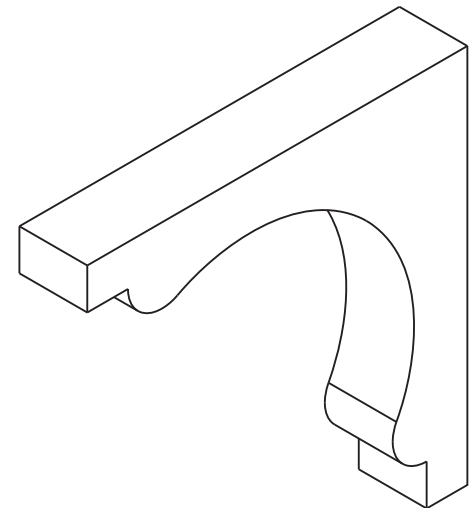


SEE DETAIL A



DETAIL A
SCALE 4:5



	ITEM:	COR28-1		MATERIAL:	
	FINISH:			WEIGHT:	
PROPRIETARY AND CONFIDENTIAL THE INFORMATION CONTAINED IN THIS DRAWING IS THE SOLE PROPERTY OF HARDWARE RESOURCES INC. ANY REPRODUCTION IN PART OR AS A WHOLE WITHOUT THE WRITTEN PERMISSION OF HARDWARE RESOURCES INC. IS PROHIBITED.	TOLERANCE UNLESS OTHERWISE SPECIFIED: X ±0.20 XX ±0.10 XXX ±0.05 ANGULAR: ±0.5° DO NOT SCALE DRAWING		UNITS: SIZE: A4 SHEET:	DRAWN BY: APPROVED BY: RELEASE LEVEL:	DATE: DATE: REVISION: