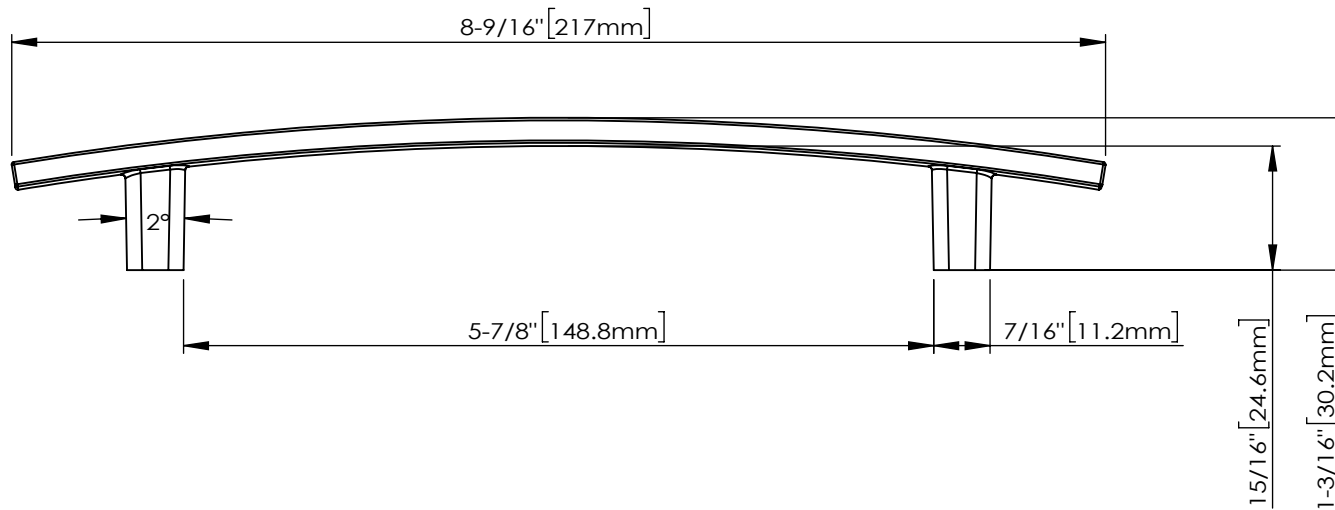


8-32 UNC ∇ 1/2" [12.7 mm]

160 mm [6.29"] CC



8-9/16" [217mm]

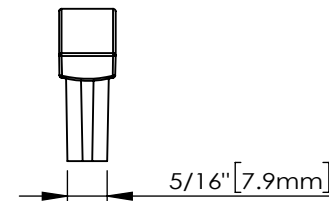
2°

5-7/8" [148.8mm]

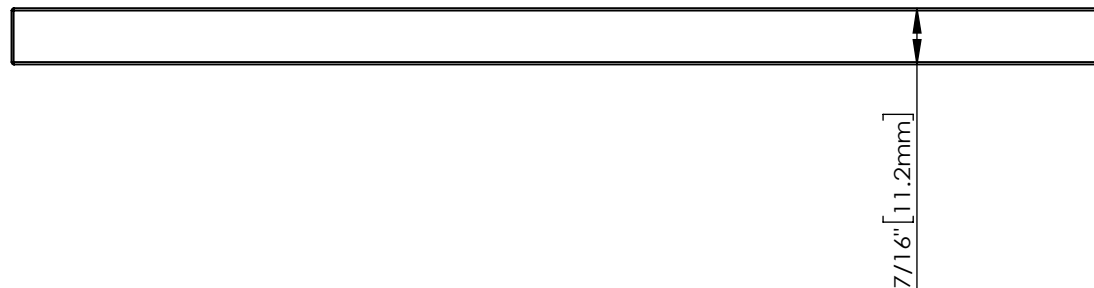
7/16" [11.2mm]

15/16" [24.6mm]

1-3/16" [30.2mm]



5/16" [7.9mm]



7/16" [11.2mm]

ACCESSORY:

SCREW: 8-32X1-1/8" 2 PCS

BREAK AWAY SCREW: 8-32X45mm 2 PCS

	ITEM#: 859-160		MATERIAL: Zinc	
			WEIGHT: 103g/0.227lb	
	FINISH:		PROJECTION:	
	TOLERANCE UNLESS OTHERWISE SPECIFIED:		UNITS:	DRAWING BY: Alexander.w
PROPRIETARY AND CONFIDENTIAL THE INFORMATION CONTAINED IN THIS DRAWING IS THE SOLE PROPERTY OF HARDWARE RESOURCES INC. ANY REPRODUCTION IN PART OR AS A WHOLE WITHOUT THE WRITTEN PERMISSION OF HARDWARE RESOURCES INC. IS PROHIBITED.		x 20.20 xx 20.10 xxx 20.05 ANGULAR: 20.5°	SIZE:	DATE:
DO NOT SCALE DRAWING		SHEET: FINISH: REVISION:	SHEET: FINISH: REVISION:	SHEET: FINISH: REVISION: