

Scan to watch the installation video

<https://delivr.com/23y5t>



IMPORTANT:

Before you begin, make sure you familiarize yourself with all the parts and fully read the instructions.

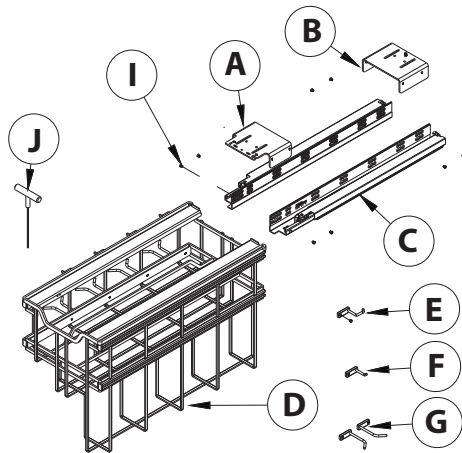
CUSTOMER SERVICE:

Toll free customer help line available weekdays between 7:00am and 6:00pm Central Time at 800-463-0660.

TOOLS NECESSARY:

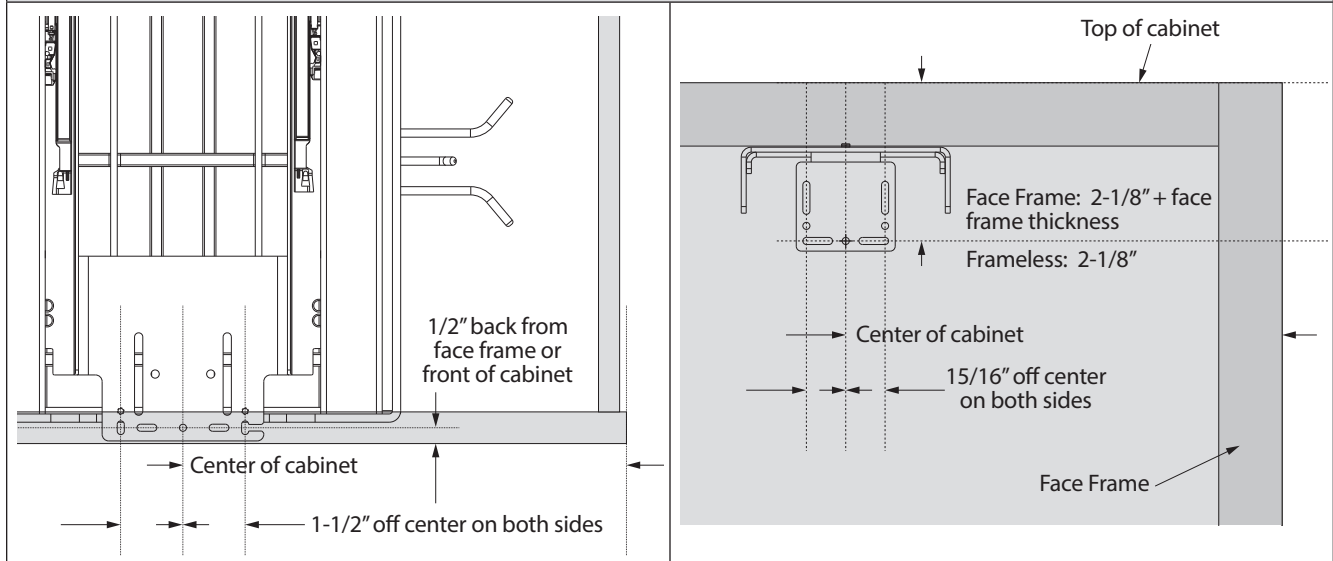
Screw gun or Phillips screwdriver, level and tape measure. NOTE: If screw gun has a clutch, set to lowest setting so as not to over tighten and/or strip screws.

PARTS IDENTIFICATION:



A	Front Mounting Bracket	1 pcs
B	Rear Mounting Bracket	1 pcs
C	100 lb. Undermount Slides	1 pair
D	Pot & Pan Organizer Unit	1 pcs
E	Angled Hook	5 pcs
F	Straight Hook	3 pcs
G	Sway Bar Hook	16 pcs
H	#8 X 5/8" Pan Head Phillips Wood Screw	6 pcs
I	M4 X 6 Flat Head Phillips Machine Screw	8 pcs
J	T-Handle Hex Driver	1 pcs

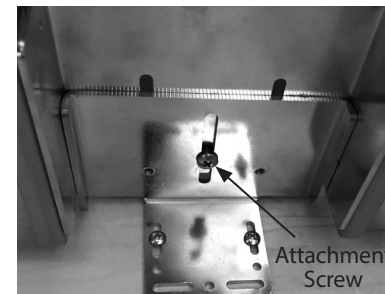
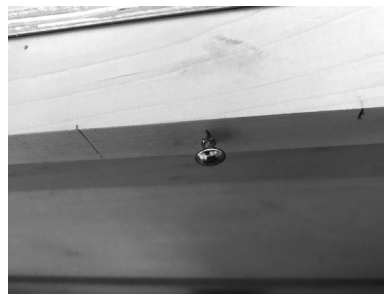
STEP 1 - Mark Mounting Location



For face framed cabinets: For front bracket, find center of the face frame opening from front to left and mark back 1/2" from the front of the face frame. Also mark 1-1/2" from the first mark on both sides as shown above. For the rear bracket find center of cabinet from right to left and measuring down 2-1/8" plus the width of the front face frame make a plus sign mark. Draw a straight line from that mark to top of cabinet. On either side of that line measure over 15/16" and draw two parallel lines as shown above.

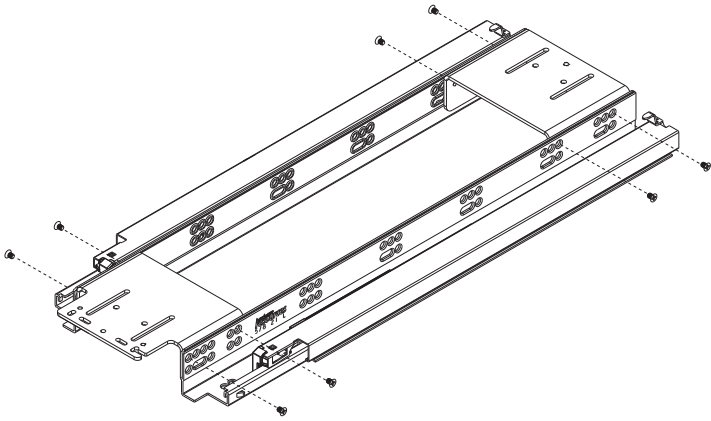
For frameless cabinets: Find center on the front of the cabinet and measure back from the front 1/2". From the first mark measure over 1-1/2" on both sides and mark as shown above. Find center in the rear of the cabinet and measure down 2-1/8". Draw a straight line from that mark to top of cabinet. On either side of that line measure over 15/16" and draw two parallel lines as shown above.

STEP 2 - Mounting Bracket Installation



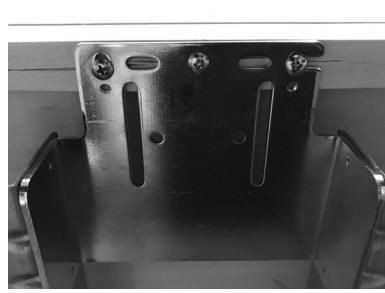
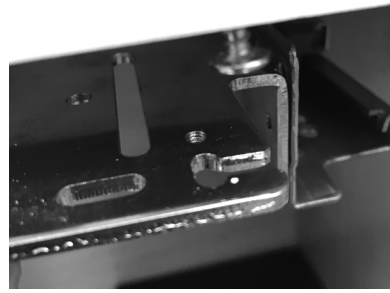
On the front marks, start a #8 X 5/8" pan head wood screw on the left front mark (left). Remove the one attachment screw on the rear bracket (center) and separate the two parts of the rear bracket, set top portion aside for step 3. Attach the lower portion of the rear bracket to the back of the cabinet as shown (right) with (2) #8 X 5/8" pan head wood screws.

STEP 3 - Slide Installation

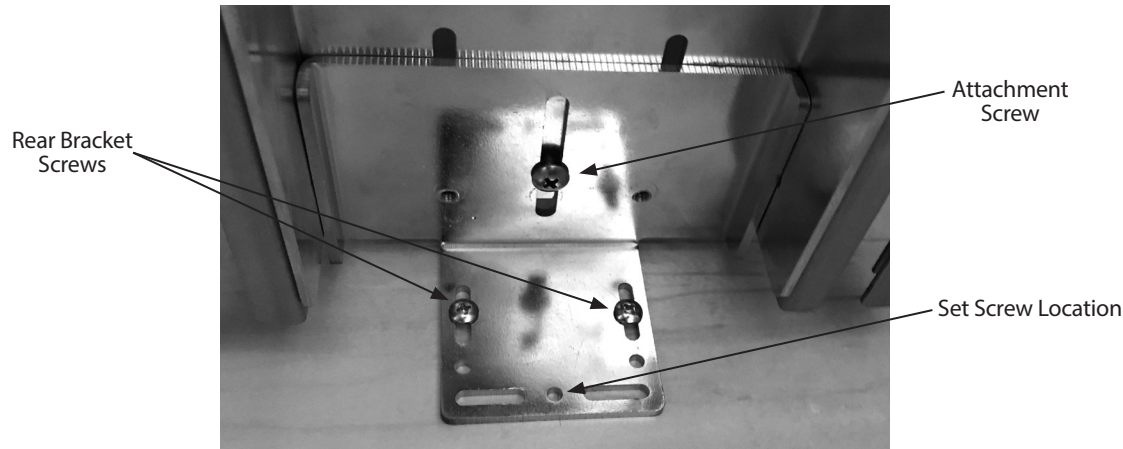


Using the front bracket and the top portion of rear bracket from step 2, attach the slides with (4) M4 X 6 flat head machine screws provided as shown.

STEP 4 - Organizer Installation



Place the organizer over the top of the rear bracket (left) and slide the slotted hole of the front bracket onto the screw started in step 2 (center) and tighten. Install the other two screws into the front brackets and secure tightly (right).

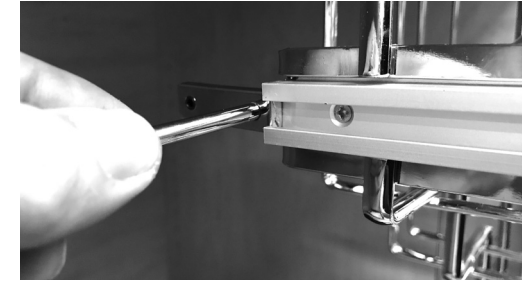


Re-install the attachment screw removed in step 2 (upper left). Cycle the unit a couple of times making sure the slide soft-close action is working correctly. Check the unit for level, by fully extending and placing a level across the top of the organizer. If out of level, adjust by loosening the two rear bracket screws and moving the rear of the unit either up or down for level. Re-tighten the rear screws and add the set screw in the center bottom hole as shown.

STEP 5 - Hook Installation

There are three different types of hooks:

1. Straight Hooks – installed in the upper channel for larger pots and pans to hang parallel to the organizer.
2. Angled Hooks – installed in the upper channel for smaller pots and pans to hang perpendicular to the organizer.
3. Sway Bar Hooks – installed in the lower channel and used to stop the swaying movement of the pots and pans.



All of the hooks are adjustable and will work in either channel. Determine your pot pan layout and install the appropriate upper channel hook by sliding it into the rear of the channel (top). Install two sway bar hooks into the lower channel for each upper hook chosen, the first facing forward and the second facing backward as shown (bottom). Once all of the hooks have been installed on one side, determine the exact placement of the pots and pans on that side, making sure they are not touching. Using the provided T-Handle hex driver, tighten the set screw in each of the hooks. Repeat on the other side.