

W9510501-10 - Laundry Faucet


Description

- 4" center bar faucet
- Zinc die cast housing w/ brass water way
- Price Pfister® interchangeable compression stems
- 1/2" IPS pipe shanks
- 1.2 GPM @ 60 PSI



• W9510501-10

Standards

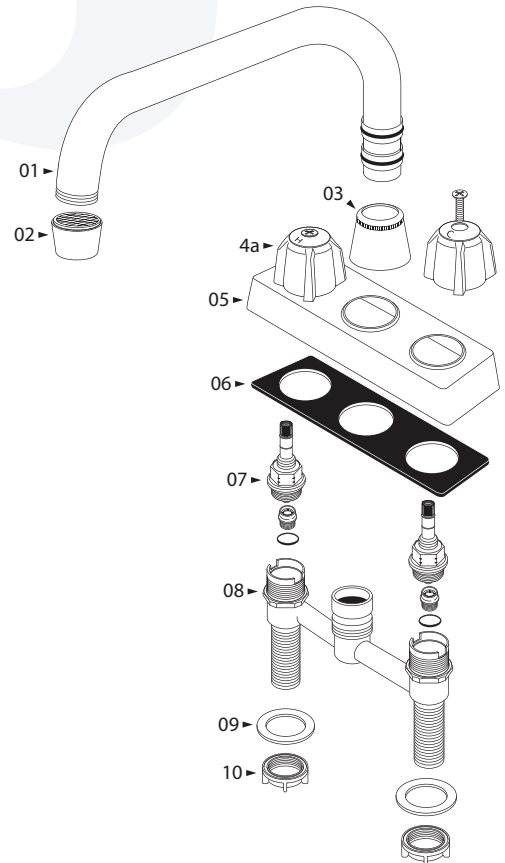
- ADA Accessibility Guidelines for Buildings and Facilities - 4.27.4 Controls and Mechanisms (lever handle only) 
- NSF - 61-9 tested and approved
- LAUNDRY USE ONLY, NOT INTENDED FOR DRINKING

Colors / Finishes

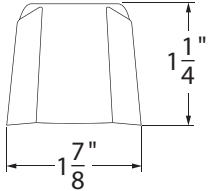
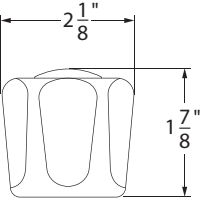
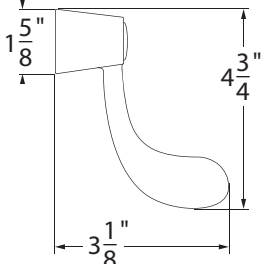
W9510501-10 - Chrome

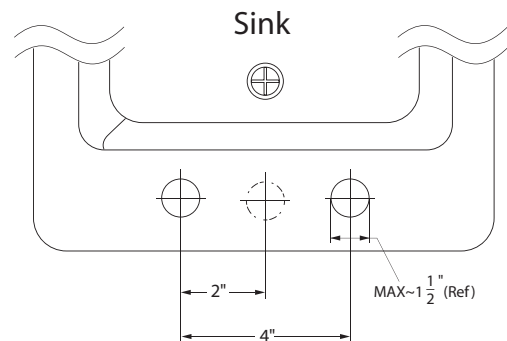
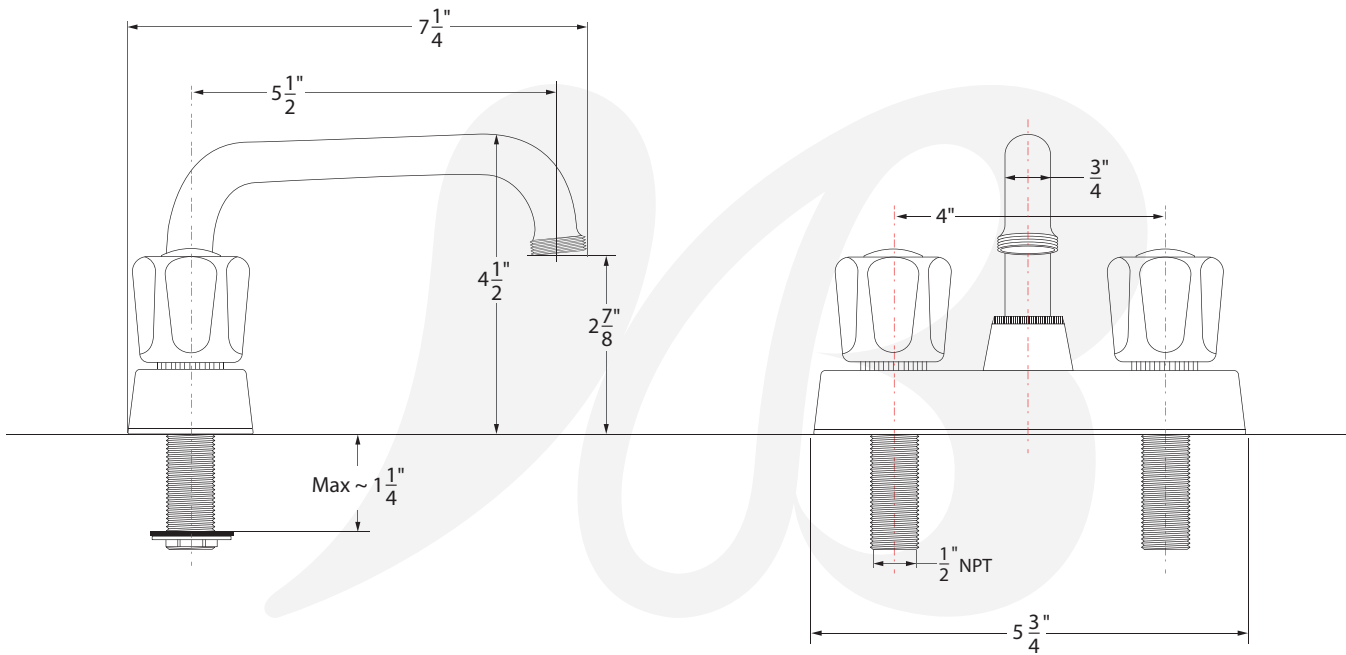
**BREAK DOWN
Component Parts List**

#	PART NAME	QTY
1	AERATOR	1
2	SPOUT	1
3	BRASS HEX NUT	1
4a	MATEL HANDLE	2
4b	BLADE HANDLE	2
4c	ACRYLIC HANDLE	2
5	BODY	1
6	DECK PLATE	2
7	CARTRIDGE	1
8	BRASS BODY / WATER WAY	1
9	RUBBER WASHER	2
10	WING NUT	2



SPECIFIED MODEL - Handle Option

		
Handle 1002-1C(H)	Handle 1002-2C(H)	Blade Handle 1234-01(C/H)



Item Number	Type	Date
W9510501-10	Laundry	03/23/2016