

S7361201, S7361202, S7362103 - Roman Tub Filler

Description

- Lever handles
- Sherington 8" - 16" roman tub filler faucet
- 90 deg turn ceramic disc cartridges
- Quick connect spout installation
- 1/2" NPT connections
- 10 GPM

Standards

- Complies with IAPMO UPC/cUPC
- ADA Accessibility Guidelines for Buildings and Facilities - 4.27.4 Controls and Mechanisms



• S7361201

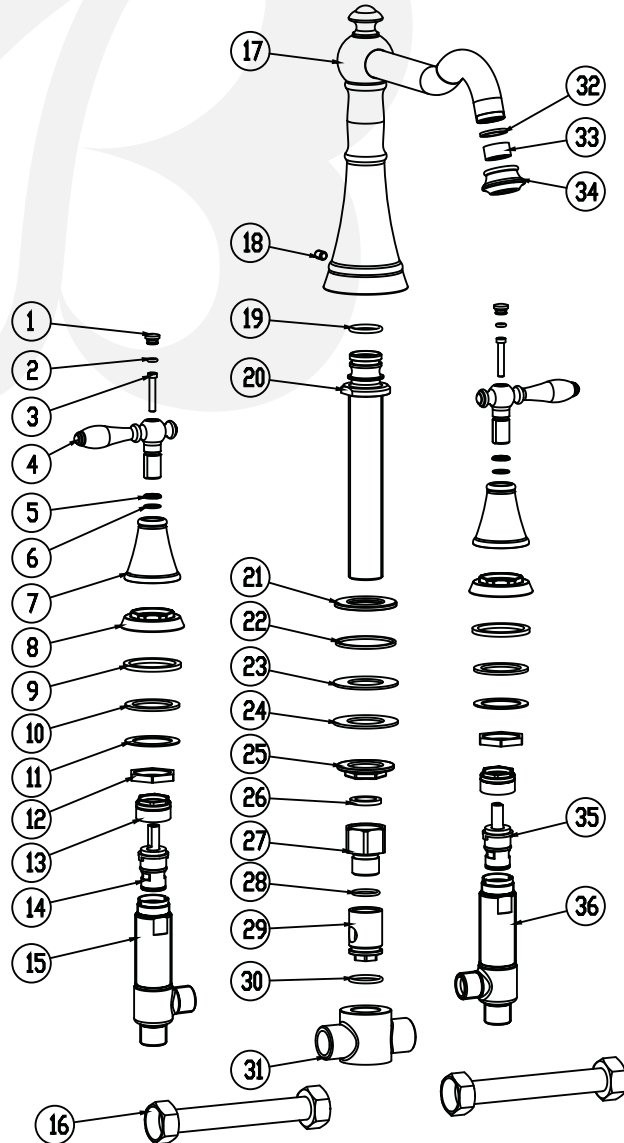


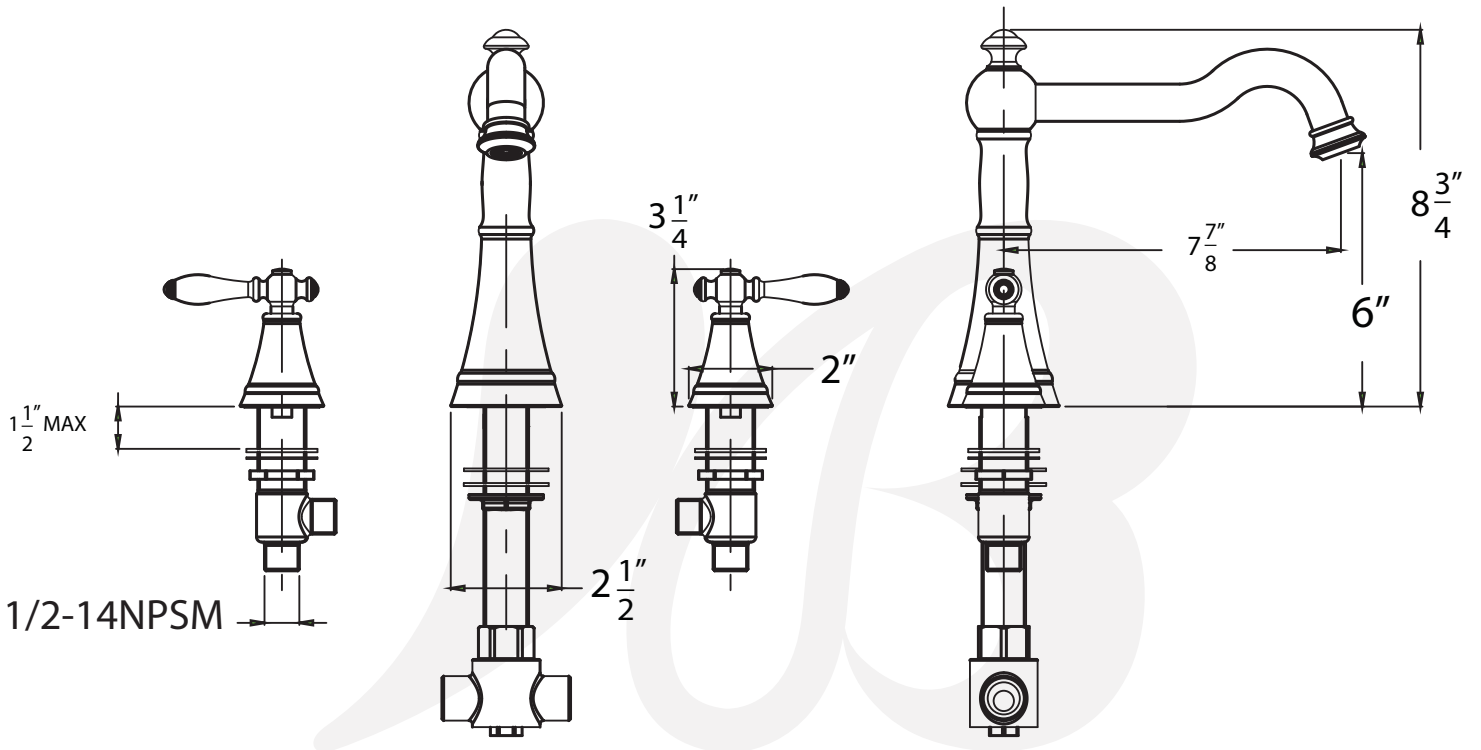
Colors / Finishes

- S7361201 - Chrome
- S7361202 - PVD Satin Nickel
- S7361203 - Antique Bronze

BREAK DOWN
Component Parts List

QTY	Part No.	Part Description	Quantity
36	CTPB0501	SHANK	1
35	ATBA0127	CARTRIDGE	1
34	CTXB0043	HOUSING	1
33	CTQP0029	FLOW REGULATOR	1
32	CTWR0021	GASKET	1
31	CTYB0057	T-CONNECTOR	1
30	CTRR0031	O-RING	1
29	CTNB0037	CONNECTOR	1
28	CTRR0045	O-RING	1
27	CTMB0145	ADAPTOR	1
26	CTWR0053	GASKET	1
25	CTNB0059	NUT	1
24	CTWT0038	WASHER	1
23	CTWR0090	WASHER	1
22	CTWR0270	WASHER	1
21	CTWB0102	GASKET	1
20	ATBP0182	SPOUT	1
19	CTRR0013	O-RING	1
18	CTST0137	SCREW	1
17	ATBF0173	SPOUT	1
16	ATBP0157	HOSE	2
15	CTPB0500	SHANK	1
14	ATBA0128	CARTRIDGE	1
13	CTNZ0011	NUT	2
12	CTNT0022	NUT	2
11	CTWT0065	WASHER	2
10	CTWR0276	GASKET	2
9	CTWR0025	GASKET	2
8	CTLZ0026	FLANGE	2
7	CTCZ0228	ESCUTCHEON	2
6	CTRR0149	O-RING	2
5	CTRP0082	C-RING	2
4	CTHZ0462	HANDLE	2
3	CTST1013	SCREW	2
2	CTRR0029	O-RING	2
1	CTHB0064	CAP	2
NO.	Drawing No.	Part Description	Quantity





Item Number	Type	Date
S7361201, S7361202, S7361203	Roman Tub Filler	4-5-2016