

S7326501, S7326502 - Clover Roman Tub Filler Faucet



Description

- 8"-16" roman tub filler faucet
- High arc spout
- 90 Degree turn ceramic disc cartridges
- 1/2" NPT connections
- 10 GPM @ 60 PSI



• S7326501

Standards

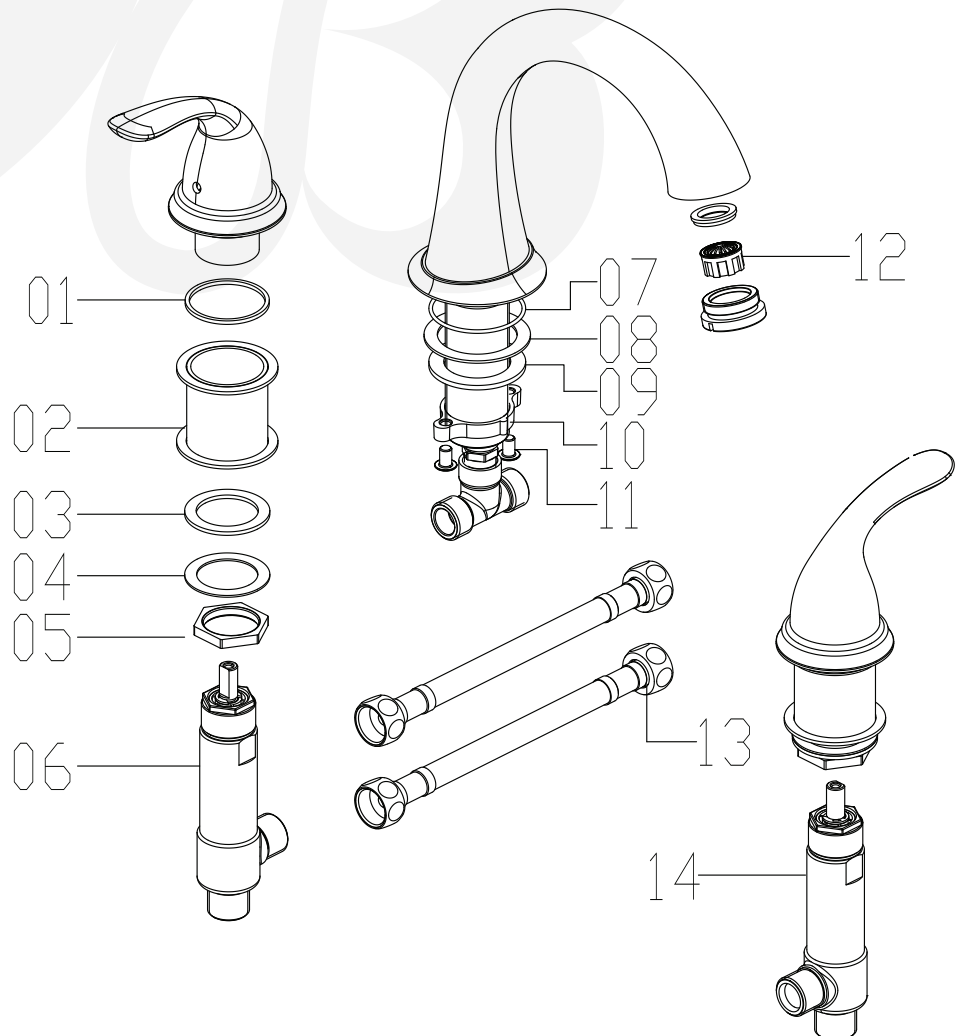
- Complies with IAPMO UPC/cUPC 
- ADA Accessibility Guidelines for Buildings and Facilities - 4.27.4 Controls and Mechanisms 

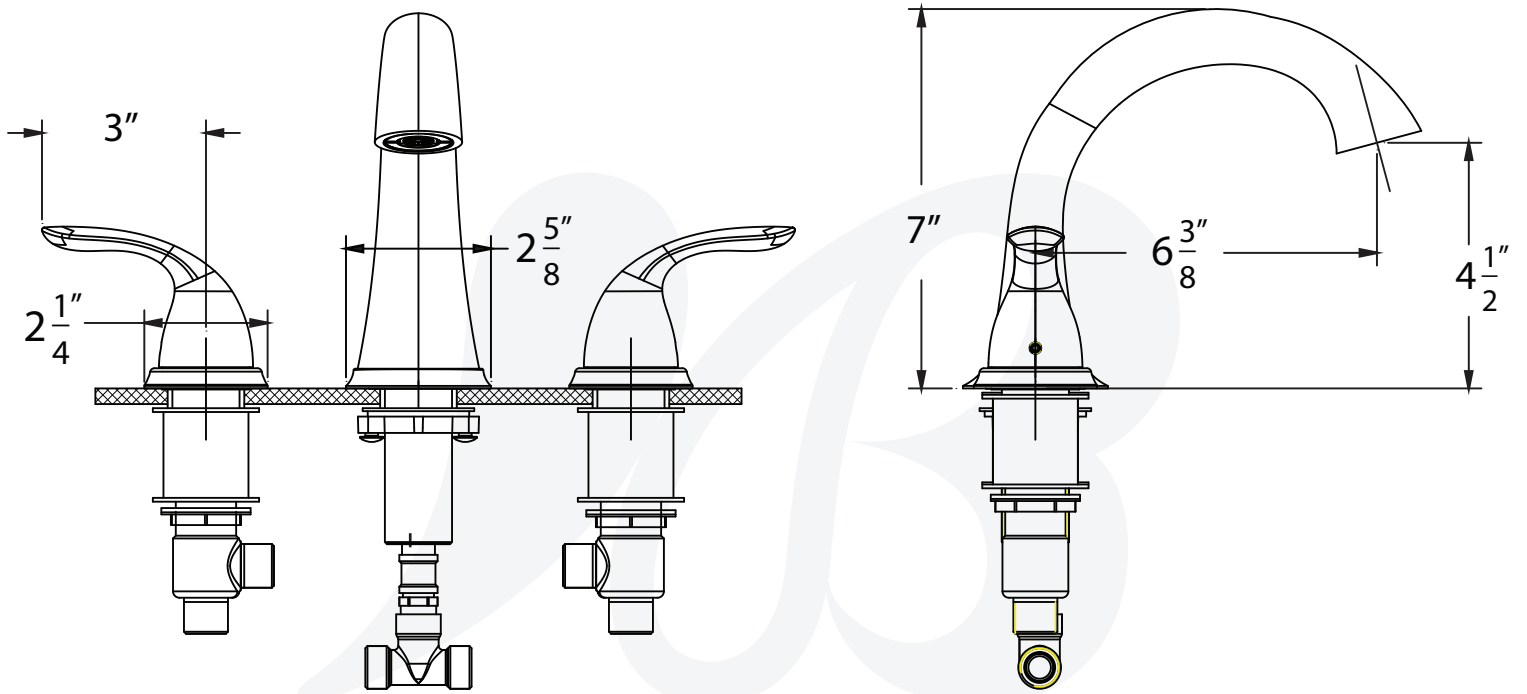
Colors / Finishes

- S7326501 - Chrome
- S7326502 - PVD Satin Nickel

**BREAK DOWN
Component Parts List**

N0.	Part No	Part Desc	Qty
01	CTWR0060	WASHER	2
02	CTDT0002	BASE	2
03	CTWR0276	WASHER	2
04	CTWT0065	WASHER	2
05	CTNT0022	NUT	2
06	ATBA1045	SHANK	1
07	CTRR0060	O-RING	2
08	CTWR0115	WASHER	1
09	CTWT0053	WASHER	1
10	CTNL0004	NUT	1
11	CTST0101	SCREW	2
12	CTQP0054	AERATOR INSERT	1
13	ATBP1007	HOSE	2
14	ATBA1046	SHANK	1





Item Number	Type	Date
S7326501, S7326502	Roman tub filler	7-12-2018