

P6381001, P6381002 - Reflection Tub and Shower Trim

Description

- Tub & shower trim kit
- Reflection metal handle
- 4" x 4" Face shower head
- 1 Setting shower head
- 1.5 GPM ASME Compliant
- VALVE SOLD SEPARATELY

Standards

- Complies with IAPMO UPC/cUPC
- ADA Accessibility Guidelines for Buildings and Facilities - 4.27.4 Controls and Mechanisms
- CALGreen compliant



P6381001

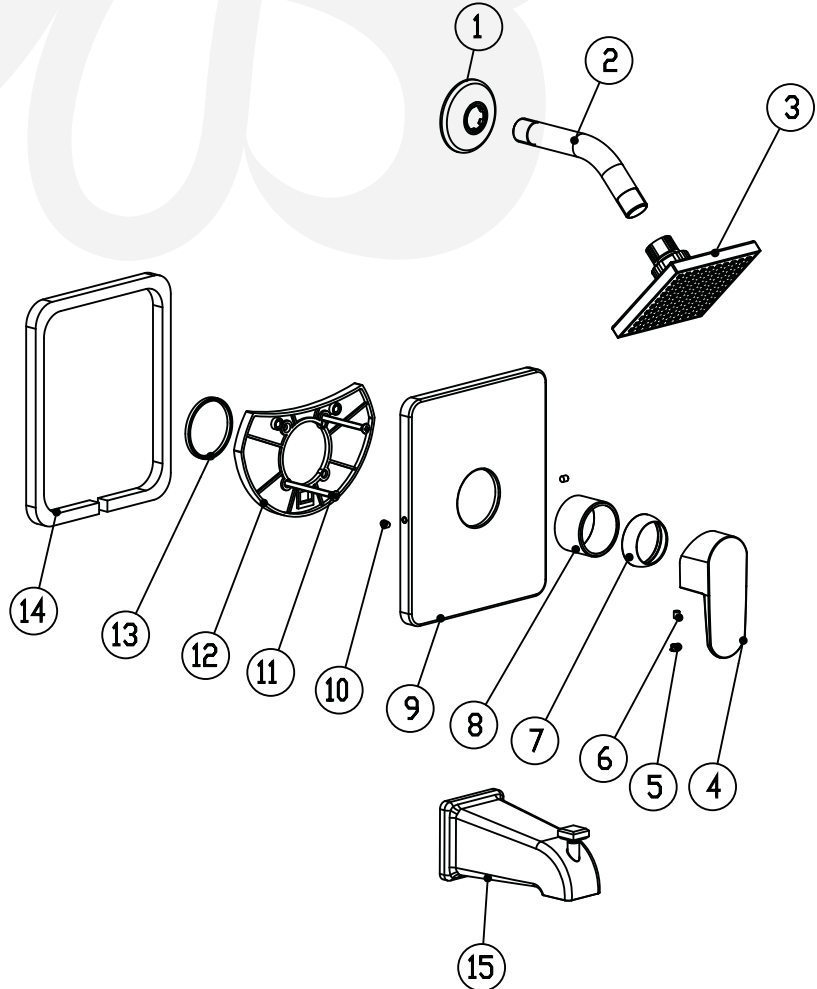


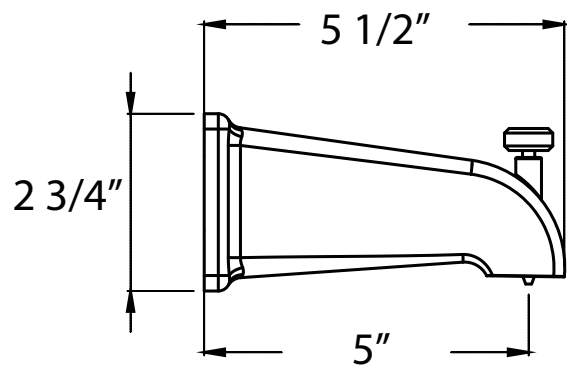
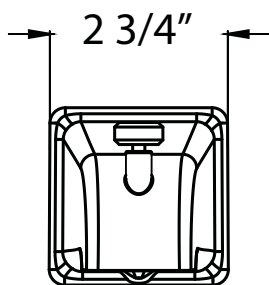
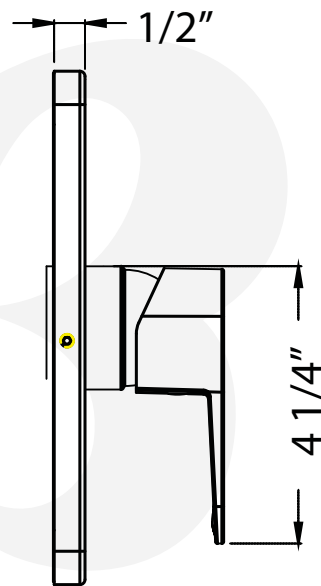
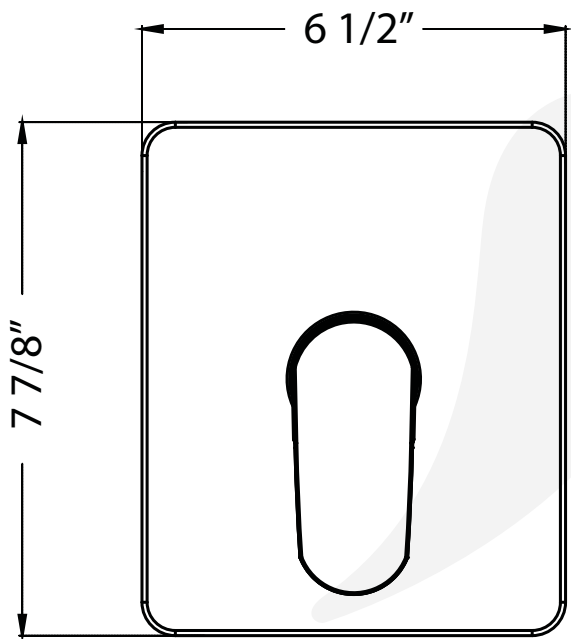
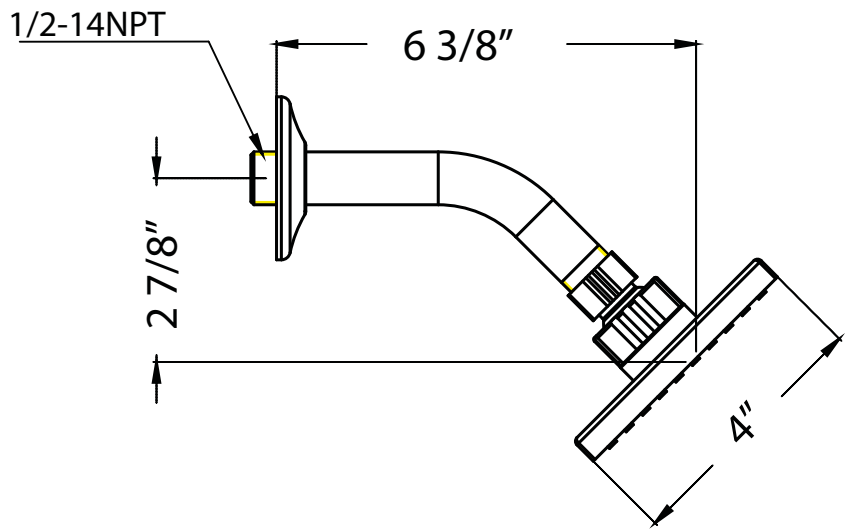
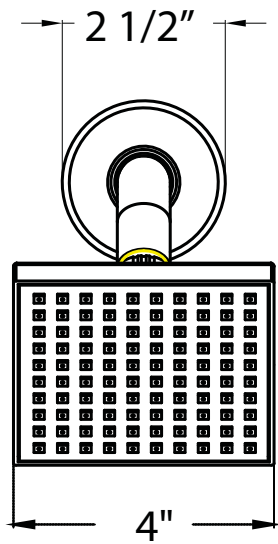
Colors / Finishes

- P6381001 -Chrome
- P6381002 -PVD Satin Nickel

**BREAK DOWN
Component Parts List**

15	ATBF0144	SPOUT	1
14	CTWR0063	WASHER	1
13	CTRR0123	GASKET	1
12	CTKP0102	WASHER	1
11	CTST0230	SCREW	2
10	CTST0166	SCREW	2
9	CTCB0690	FACE PLATE	1
8	CTCB0670	COVER	1
7	CTCB0718	CAP	1
6	CTST0155-XX	SCREW	1
5	CTCP0072	CAP	1
4	CTHZ0256	HANDLE	1
3	ATBE0120	SHOWER	1
2	CTPT0014	SHOWER ARM	1
1	CTCT0070	ESCUTCHEIDN	1
NL.	Part No.	Part Description	Quantity





Item Number	Type	Date
P6381001, P6381002	Reflection tub and shower trim	12/15/15