

P6361201, P6361202, P6361203 - Tub and Shower Trim

Description

- Tub & shower trim kit
- Sherington series handle
- 5" Face shower head
- 5 Setting shower head
- 1.5 GPM ASME Compliant
- VALVE SOLD SEPARATELY

Standards

- Complies with IAPMO UPC/cUPC
- ADA Accessibility Guidelines for Buildings and Facilities - 4.27.4 Controls and Mechanisms
- CALGreen compliant



CALGreen

• P6361201

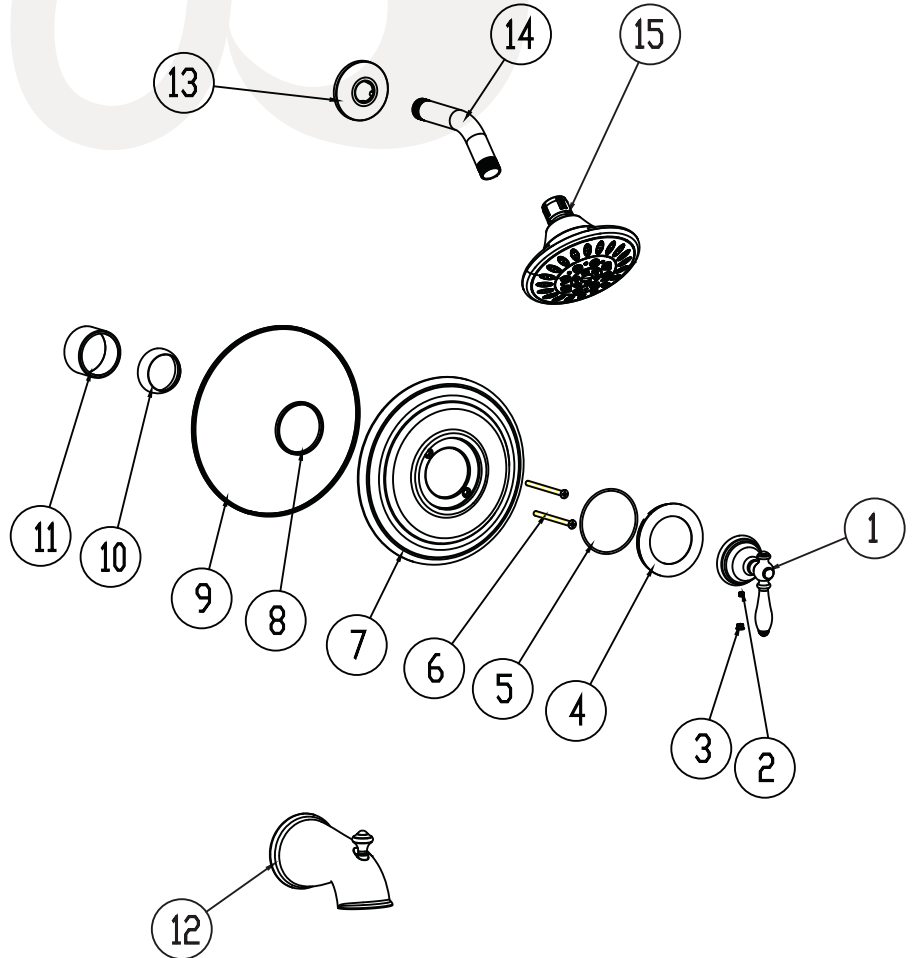


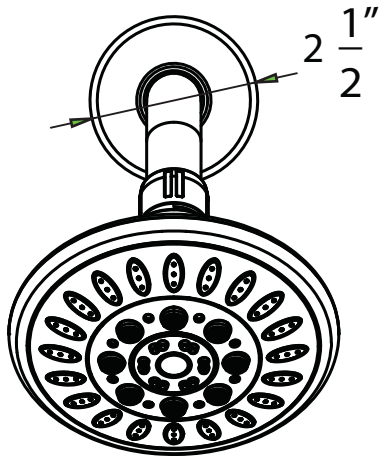
Colors / Finishes

- P6361201 - Chrome
- P6361202 - PVD Satin Nickel
- P6361203 - Antique Bronze

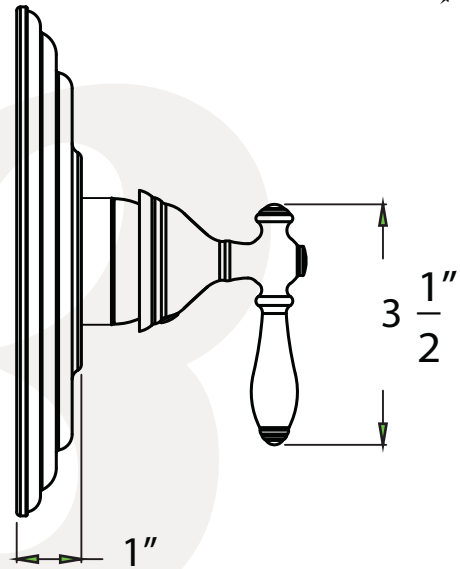
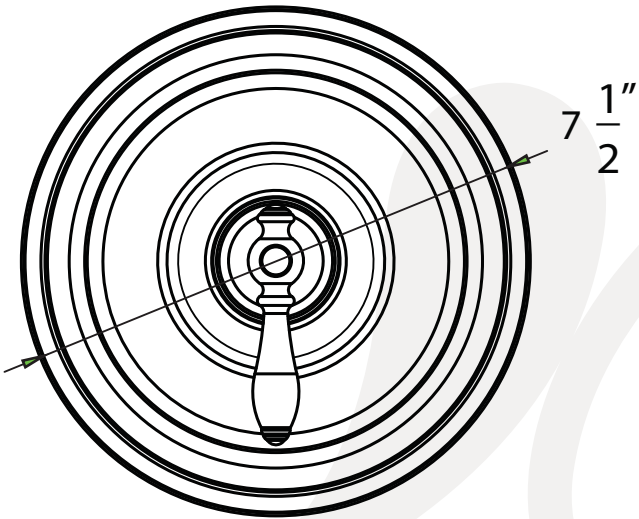
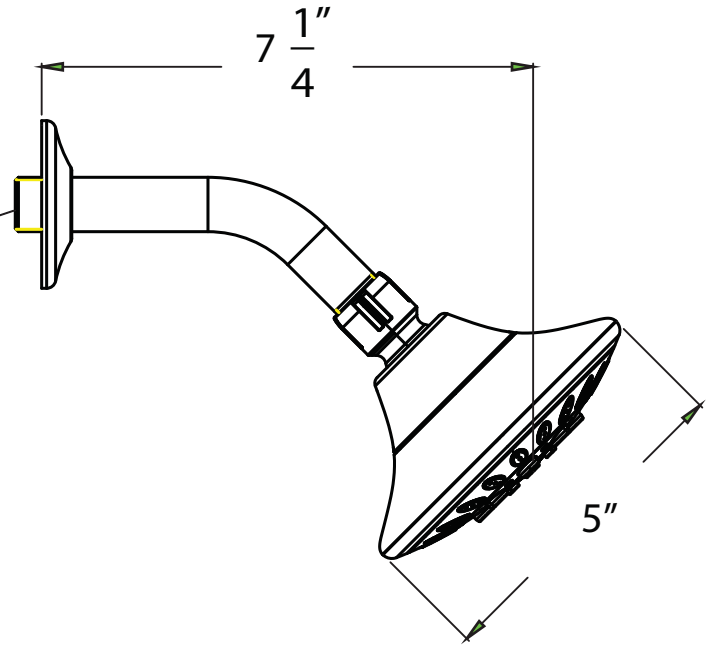
**BREAK DOWN
Component Parts List**

15	ATBE0130	SHOWER	1
14	CTPT0014	SHOWER ARM	1
13	CTCT0070	ESCUTCHEON	1
12	ATBF0140	SPOUT	1
11	CTCB0670	DECORATIVE COVER	1
10	CTCP0192	COVER	1
9	CTWP0069	SEAL	1
8	CTRR0123	O-RING	1
7	CTCB0301	COVER	1
6	CTST0230	SCREW	2
5	CTRR0113	O-RING	1
4	CTCB0231	DECORATIVE COVER	1
3	CTCP0072	CAP	1
2	CTST0084	SCREW	1
1	CTHZ0525	HANDLE	1
NO.	Drawing No.	Part Description	Quantity

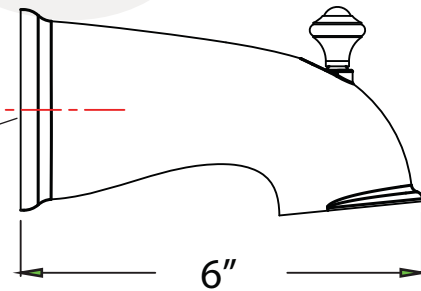




1/2-14NPT



1/2-14NPT



Item Number	Type	Date
P361201, P361202, P361203	Tub and Shower	12/21/2015