

P6181001, P6181002 - Reflection Shower Trim

Description

- Shower Only Trim Kit
- Reflection metal handle
- 4" x 4" Face shower head
- 1 Setting shower head
- 1.5 GPM ASME Compliant
- VALVE SOLD SEPARATELY

Standards

- Complies with IAPMO UPC/cUPC
- ADA Accessibility Guidelines for Buildings and Facilities - 4.27.4 Controls and Mechanisms
- CALGreen compliant



• P6181001

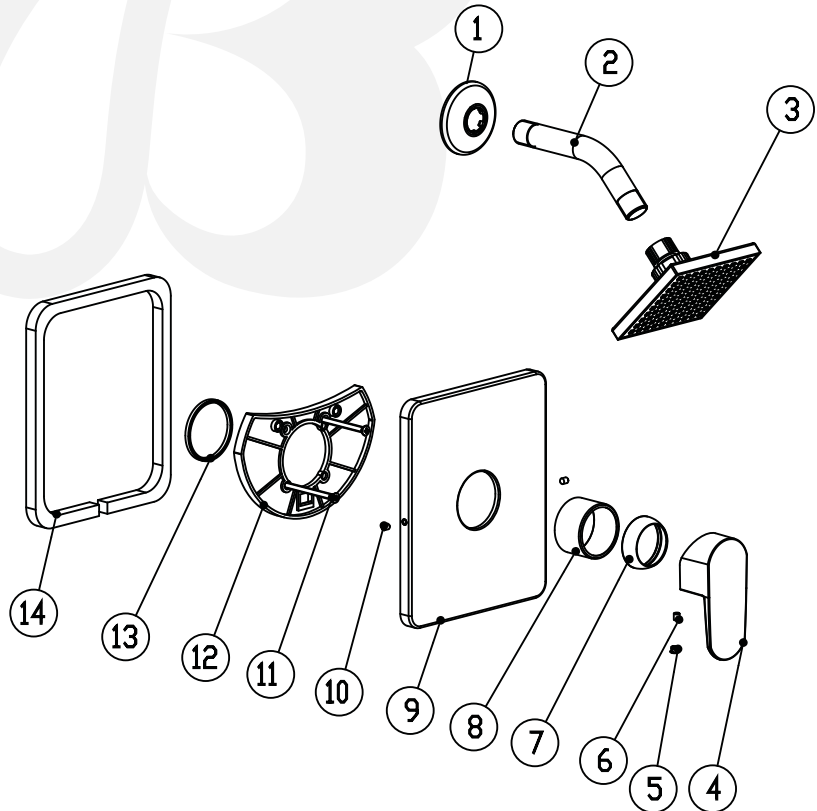


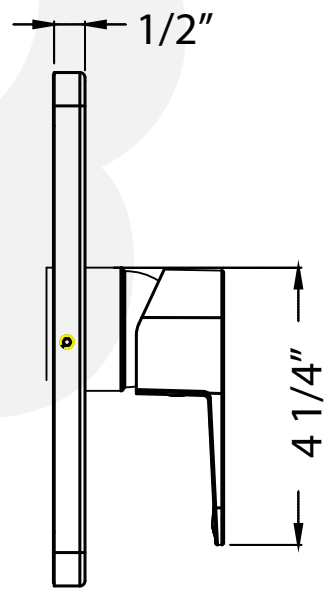
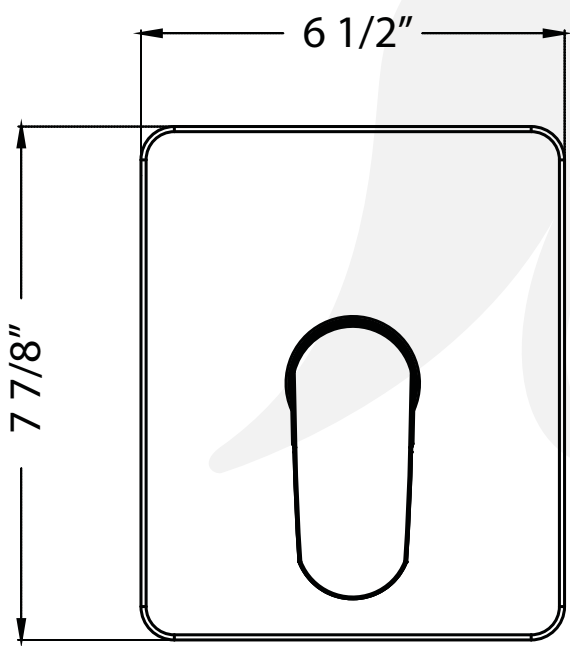
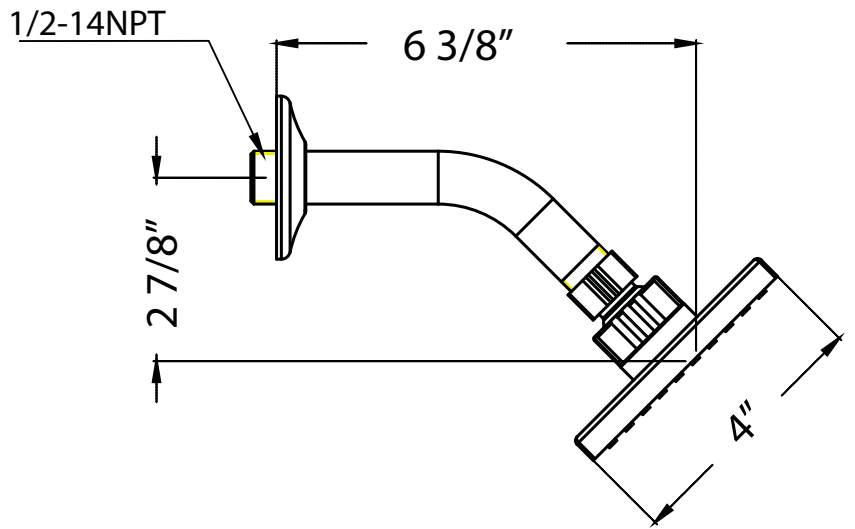
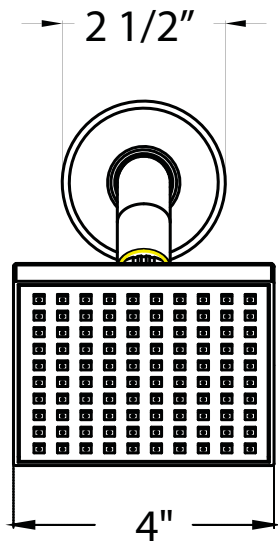
Colors / Finishes

- P6181001 - Chrome
- P6181002 - PVD Satin Nickel

BREAK DOWN
Component Parts List

NL	Part No.	Part Description	Quantity
14	CTWR0063	WASHER	1
13	CTRR0123	GASKET	1
12	CTKP0102	WASHER	1
11	CTST0230	SCREW	2
10	CTST0166	SCREW	2
9	CTC80690	FACE PLATE	1
8	CTC80670	COVER	1
7	CTC80718	CAP	1
6	CTST0155-XX	SCREW	1
5	CTCP0072	CAP	1
4	CTHZ0256	HANDLE	1
3	ATBE0120	SHOWER	1
2	CTPT0014	SHOWER ARM	1
1	CTCT0070	ESCUTCHEIDN	1





Item Number	Type	Date
P6181001, P6181002	Reflection shower trim	6/3/2015