





K4880201-C, K4880202-C - Kitchen Faucet

Description

- Single handle kitchen faucet
- 360 deg swing angle, high arch brass spout
- Ceramic disc cartridge
- With pull down magentic sprayer
- 1.8 GPM ASME compliant
- SS Flex hoses with 3/8" compression nuts

Standards

- Complies with IAPMO UPC/cUPC 
- California AB1953 compliant 
- NSF - 61-9 tested and compliant
- ADA Accessibility Guidelines for Buildings and Facilities - 4.27.4 Controls and Mechanisms 
- CALGreen compliant (with 1.75 GPM aerator) 

Colors / Finishes

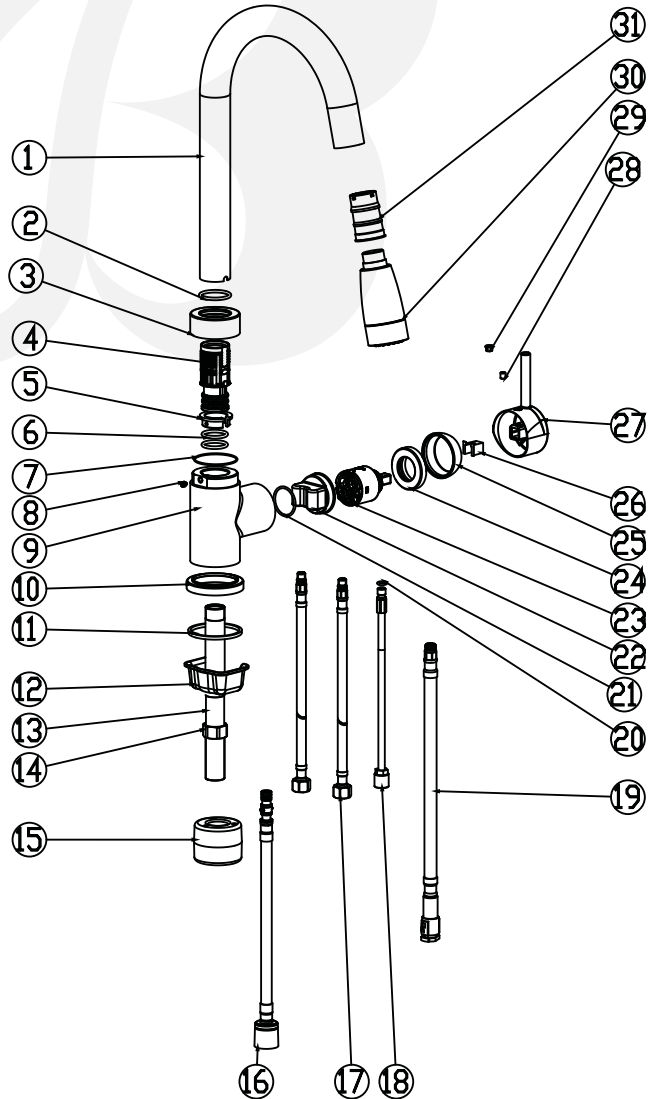
- K4880201-C - Chrome
- K4880202-C - PVD Satin Nickel
- K4880203-C - Antique Bronze

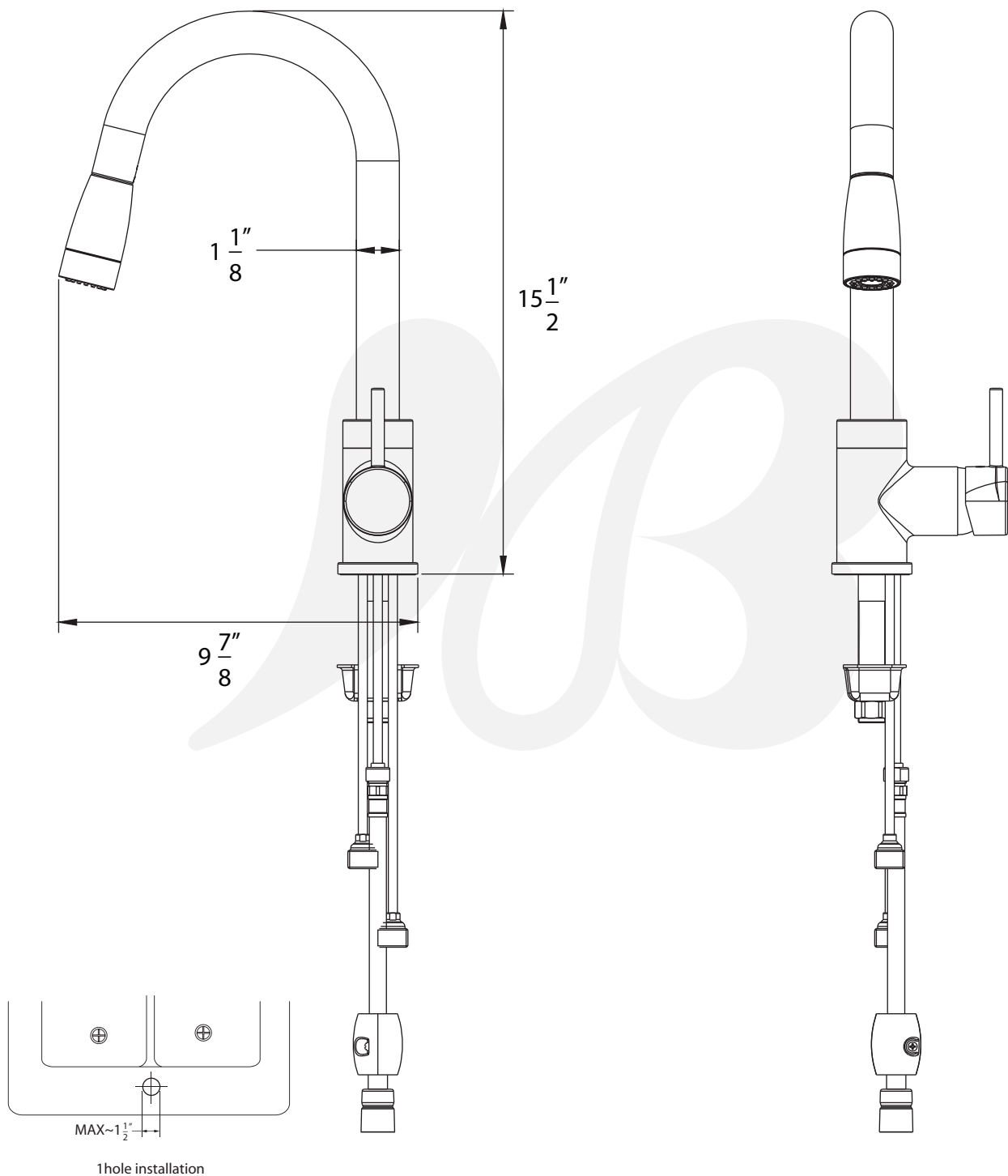
K4880201-C



BREAK DOWN
Component Parts List

31	ATBQ0419	BASE	1
30	ATBE0124	SHOWER	1
29	CTCP0072	CAP	1
28	CTST0117	SCREW	1
27	CTHZ0254	HANDLE	1
26	CTKP0020	COVER	1
25	CTCB0185	COVER	1
24	CTKB0058	NUT	1
23	ATBA0161	CARTRIDGE	1
22	CTDN0023	BASE	1
21	CTRR0125	□-RING	1
20	CTRR0182	□-RING	1
19	ATBP0379	HOSE	1
18	ATBP0447	HOSE	1
17	ATBP1018	HOSE	2
16	ATBP0437	HOSE	1
15	ATBQ0571	KEY BOLT	1
14	CTNB0276	NUT	1
13	CTPT0021	PIPE	1
12	CTLT0020	FLANGE	1
11	CTWR0114	WASHER	1
10	CTDZ0074	BASE	1
9	CTYZ0012	BODY	1
8	CTST0250	SCREW	1
7	CTRR0215	□-RING	1
6	CTRR0013	□-RING	2
5	CTRP0051	C-RING	1
4	CTMP0049	ADAPTER	1
3	CTCZ0178	COVER	1
2	CTRR0218	□-RING	1
1	CTPT0043	PIPE	1
NO.	Drawing No	Part Description	Quantity





Item Number	Type	Date
K4880201-C, K4880202-C	Kitchen Faucet	12/14/2015