

K1960101, K1960102, K1960103, K1960113, K1960114 - Wall Mounted PotFiller

Description

- Traditional style wall mount pot-filler
- Dual shut off valves
- Solid brass construction

Standards

- ASME A112.18.1 Compliant
- ADA Accessibility Guidelines for Buildings and Facilities - 4.27.4 Controls and Mechanisms (lever handle only)
- NSF - 61-9 tested
- CSA B125.1 Compliant
- California AB1953 compliant



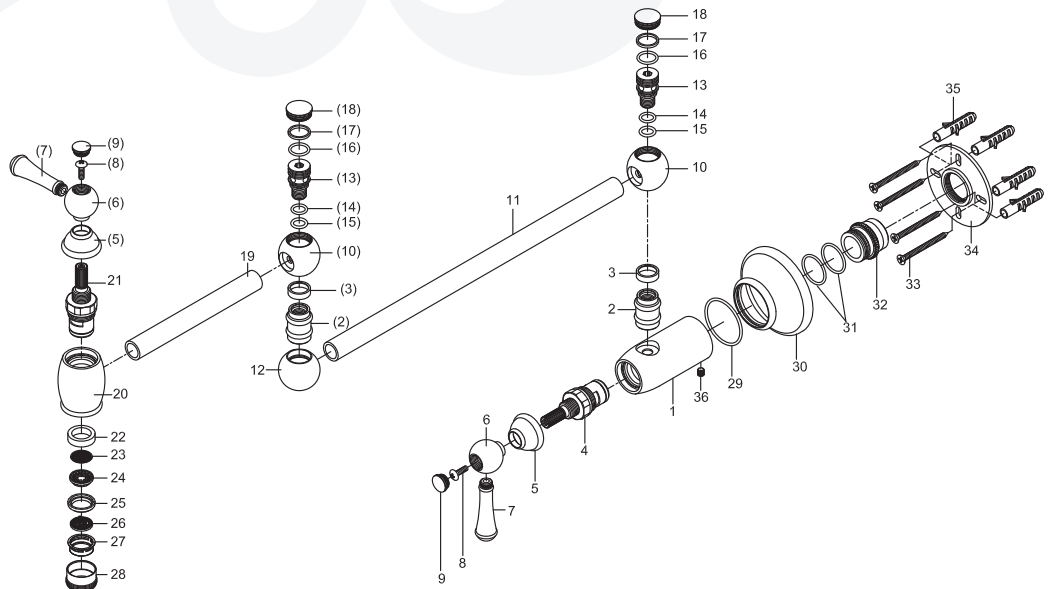
K1960102

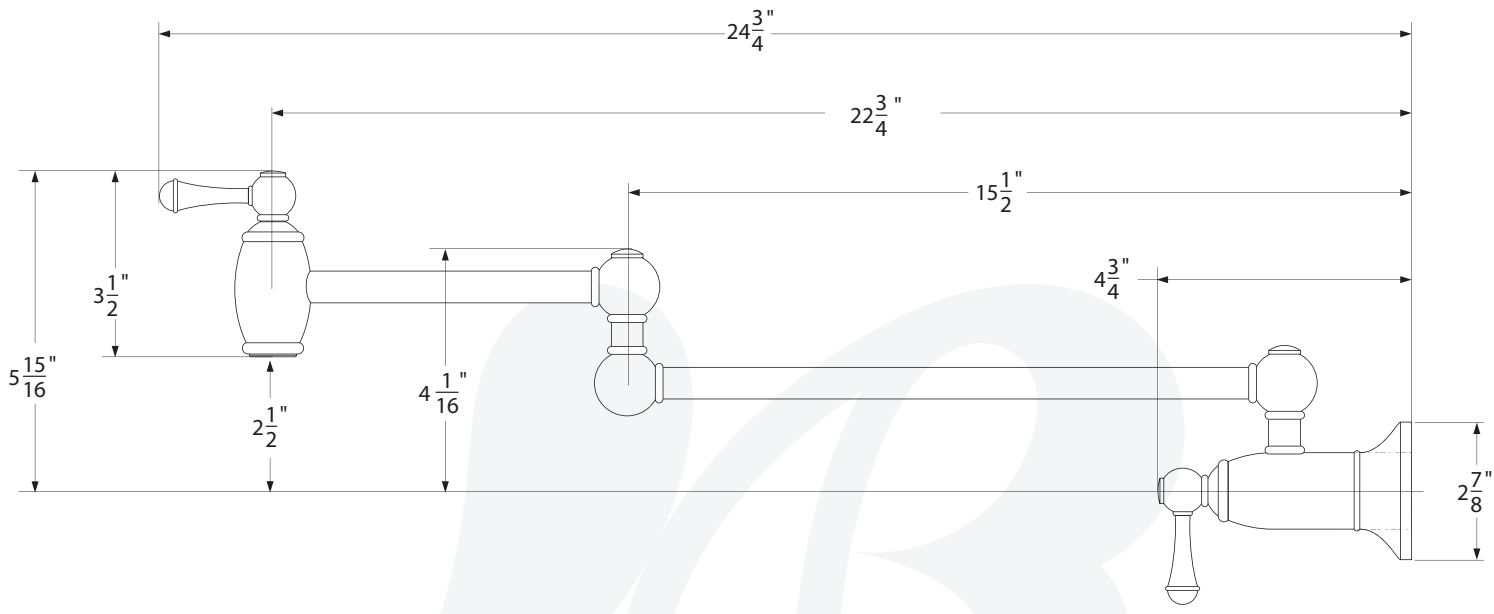
Colors / Finishes

- K1960101 - Chrome
- K1960102 - PVD Satin Nickel
- K1960103 - Antique Bronze
- K1960101 - PVD Polished Brass
- K1960101 - PVD Polished Nickel

BREAK DOWN

36	SET SCREW	1
35	WALL ANCHORS	4
34	WALL PLATE	1
33	SCREWS	4
32	WALL PLATE ADAPTER	1
31	O-RING	2
30	ESCUTCHEON	1
29	O-RING	1
28	AERATOR HOUSING	1
27	AERATOR ASSEMBLY	1
26	AERATOR ASSEMBLY	1
25	AERATOR ASSEMBLY	1
24	AERATOR ASSEMBLY	1
23	AERATOR ASSEMBLY	1
22	WASHER	1
21	CARTRIDGE	1
20	HOUSING	1
19	TUBE	1
18	BUTTON CAP	2
17	O-RING	2
16	O-RING	2
15	O-RING	2
14	O-RING	2
13	ROTATING SHANK	2
12	PIVOT BALL	1
11	TUBE	1
10	PIVOT BALL	1
9	BUTTON CAP	2
8	SCREW	2
7	HANDLE	2
6	HANDLE BALL	2
5	ESCUTCHEON	2
4	CARTRIDGE	1
3	BUSHING	2
2	PIVOT BODY	2
1	Body	1
NO.	Part Description	Quantity





Item Number	Type	Date
K1960101, K1960102, K1960103, K1960113, K1960114	Wall Mount Pot Filler	03/30/2018