

K1900701, K1900702, K1900703, K1900713, K1900714 - Wall Mounted PotFiller

Description

- Modern style wall mount pot-filler
- Dual shut off valves
- Solid brass construction



K1900701

Standards

- ASME A112.18.1 Compliant
- ADA Accessibility Guidelines for Buildings and Facilities - 4.27.4 Controls and Mechanisms (lever handle only)
- NSF - 61-9 tested
- CSA B125.1 Compliant
- California AB1953 compliant

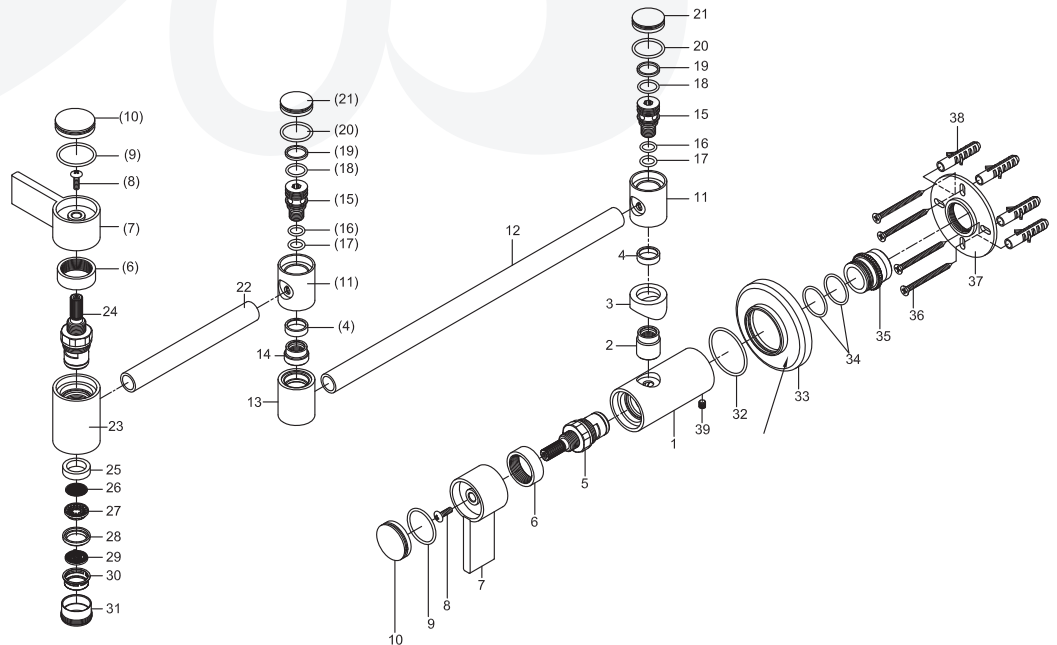


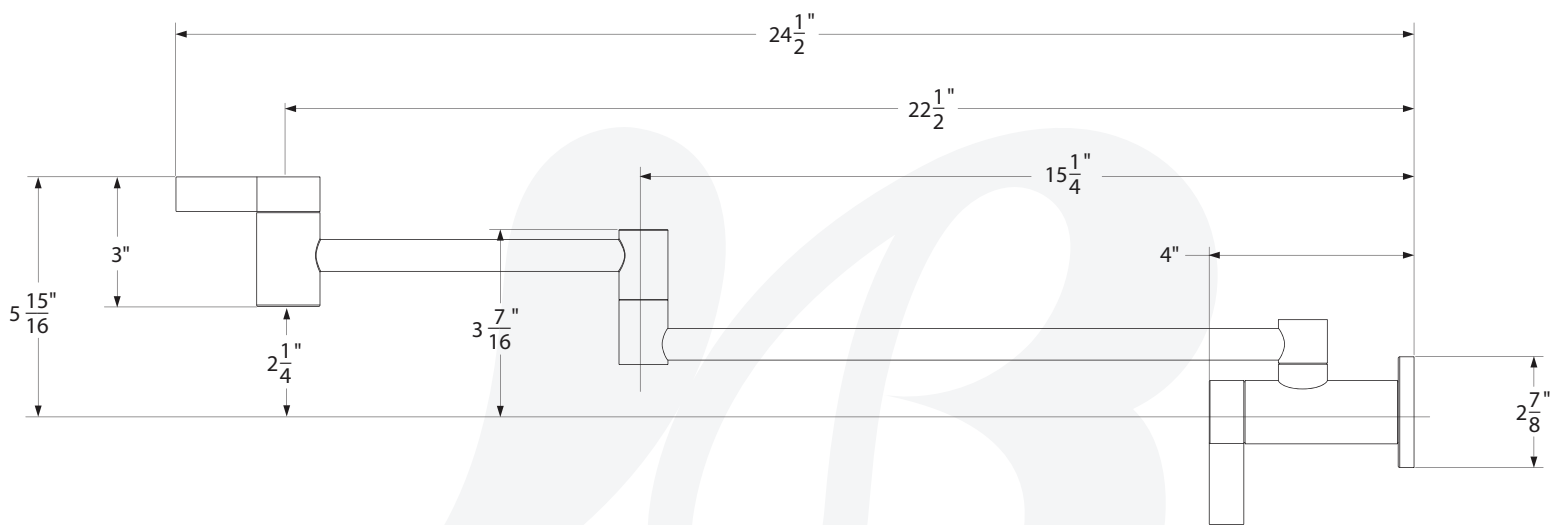
Colors / Finishes

- K1900701 - Chrome**
- K1900702 - PVD Satin Nickel**
- K1900703 - Antique Bronze**
- K1900701 - PVD Polished Brass**
- K1900701 - PVD Polished Nickel**

BREAK DOWN

39	SET SCREW	1
38	WALL ANCHORS	4
37	WALL PLATE	1
36	SCREWS	4
35	WALL PLATE ADAPTER	1
34	O-RING	2
33	ESCUTCHEON	1
32	O-RING	1
31	AERATOR HOUSING	1
30	AERATOR ASSEMBLY	1
29	AERATOR ASSEMBLY	1
28	AERATOR ASSEMBLY	1
27	AERATOR ASSEMBLY	1
26	AERATOR ASSEMBLY	1
25	WASHER	1
24	CARTRIDGE	1
23	HOUSING	1
22	TUBE	1
21	BUTTON CAP	2
20	O-RING	2
19	O-RING	2
18	O-RING	2
17	O-RING	2
16	O-RING	2
15	ROTATING SHANK	2
14	BUSHING	1
13	PIVOT TUBE BODY	1
12	TUBE	1
11	PIVOT TUBE BODY	2
10	BUTTON CAP	2
9	O-RING	2
8	SCREW	2
7	HANDLE	2
6	BUSHING	2
5	CARTRIDGE	1
4	BUSHING	2
3	PIVOT BODY	1
2	PIVOT BUSHING	1
1	Body	1
NO.	Part Description	Quantity





Item Number	Type	Date
K1900701, K1900702, K1900703, K1900713, K1900714	Wall Mount Pot Filler	03/30/2018