

**K1830001-MYJ, K1830002-MYJ, K1830003-MYJ, K1830014-MYJ, K1830016-MYJ, K1830049-MYJ**  
**Classic Style Pull down Kitchen Faucet With Deck Plate**

**Description**

- Single handle kitchen faucet
- 360 deg swing angle, high arch brass spout
- Ceramic disc cartridge
- With magnetic two setting pull-down sprayer with fan spray function
- SS Flex hoses with 3/8" compression nuts
- 1.75 GPM ASME Compliant

• K1830001-MYJ



**Standards**

- Complies with IAPMO UPC/cUPC
- California AB1953 compliant
- NSF - 61-9 tested and compliant
- ADA Accessibility Guidelines for Buildings and Facilities - 4.27.4 Controls and Mechanisms



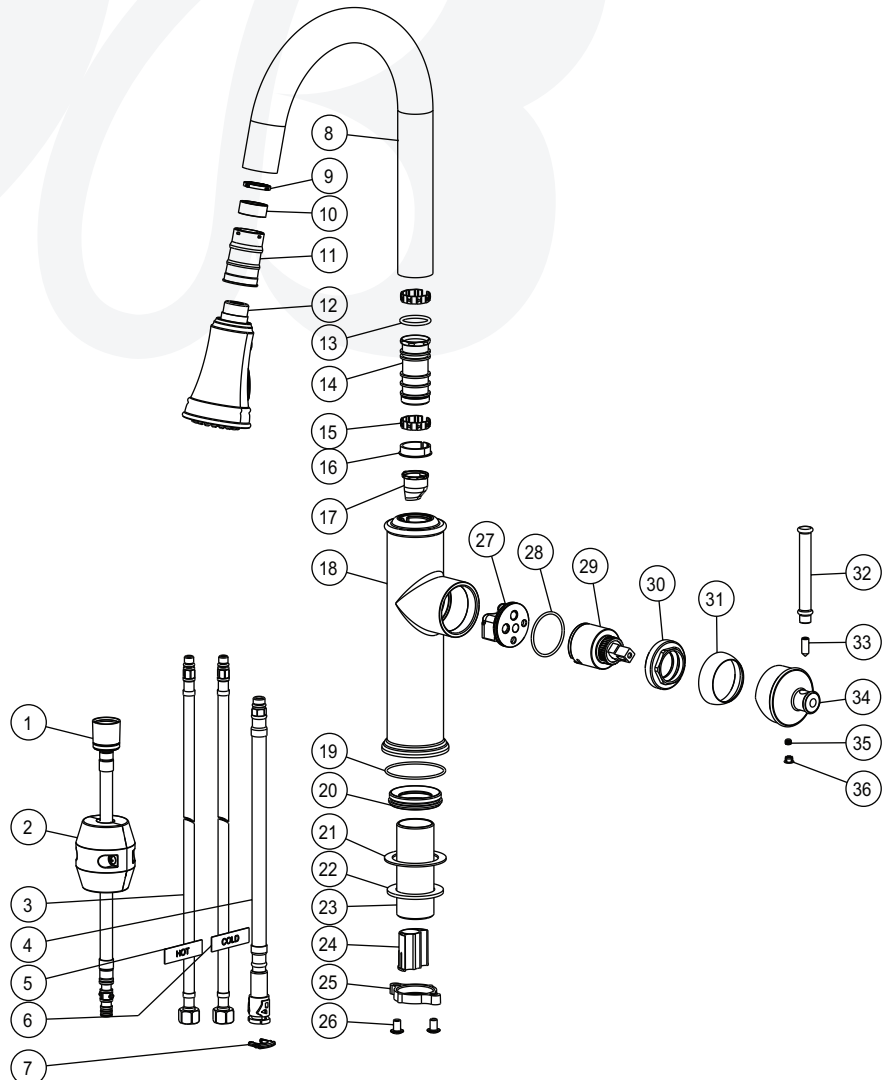
**Colors / Finishes**

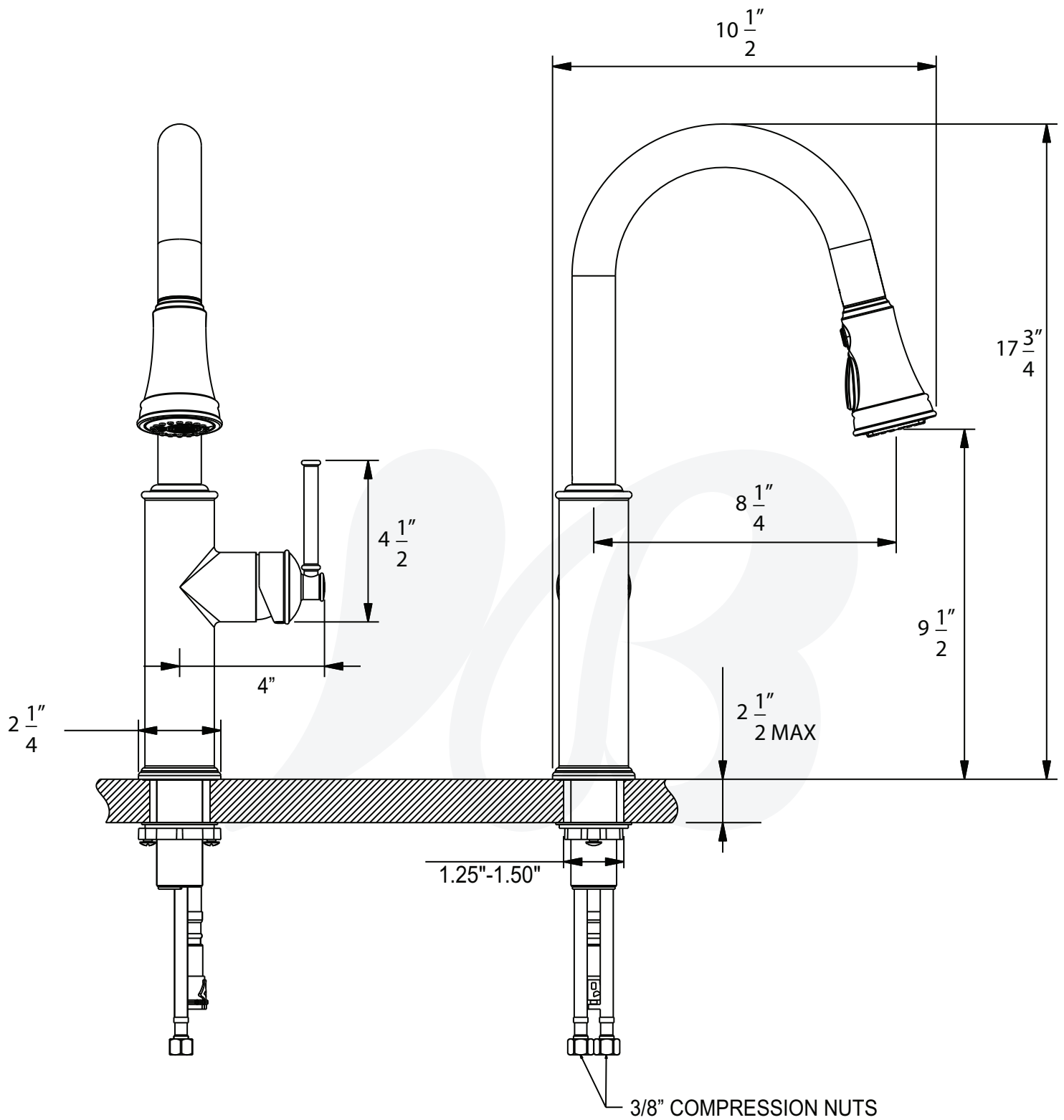
- K1830001-MYJ - Chrome
- K1830002-MYJ - PVD Satin Nickel
- K1830003-MYJ - Antique Bronze
- K1830014-MYJ - PVD Polished Nickel
- K1830016-MYJ - PVD Satin Brass
- K1830049-MYJ - Matte Black

**BREAK DOWN**

**Component Parts List**

NO.	Part No	Description	Qty
1	ATBP0437	SHOWER HOSE	1
2	ATBQ0618	WEIGHT	1
3	ATBP1039	HOSE	2
4	ATBP0557	HOSE	1
5	CZL00058-00	HOT LABEL	1
6	CZL00059-00	COLD LABEL	1
7	CTRP0102	C-CLIP	1
8	ATBP8041	TUBE	1
9	CTWP0272	WASHER	1
10	CTQQ0031	MAGNET	1
11	CTCP0512	BUSHING	1
12	ATBE0341	SHOWER	1
13	CTRR0166	O-RING	1
14	CTML0002	CONNECTOR	1
15	CTKP0162	C-CLIP	2
16	CTKP0163	C-CLIP	1
17	CTCP0495	BUSHING	1
18	CTYZ0036	BODY	1
19	CTRR0244	O-RING	1
20	CTNV0001	NUT	1
21	CTWR0115	WASHER	1
22	CTWT0053	WASHER	1
23	CTPL0003	SHANK	1
24	CTCP0494	BUSHING	1
25	CTNL0004	NUT	1
26	CTST0101	SCREW	2
27	CTDN0064	BASE SEAT	1
28	CTRR0074	O-RING	1
29	ATBA0161	CARTRIDGE	1
30	CTKB0058	BONNET	1
31	CTCB0653	COVER	1
32	CTHB0387	HANDLE LEVER	1
33	CTST0136	SCREW	1
34	CTDZ0158	HANDLE COVER	1
35	CTST0084	SCREW	1
36	CTCP0072	HANDLE KNOB	1
37			
38			
39			
40			





Item Number	Type	Date
K1830001-MYJ, K1830002-MYJ, K1830003-MYJ, K1830014-MYJ, K1830016-MYJ, K1830049-MYJ	Kitchen Faucet	4-15-2019