

**W8129101-2, W8129129-2, W8129149-2 - Lavatory Faucet**

**Description**

**EMORY II SINGLE CONTROL**

- Replaceable cartridge
- SS Flex hoses with 3/8" compression nuts
- 50-50 Pop-up drain assembly
- 1.2 GPM
- Optional Deck plate available: PBQ308xx

**Standards**

- Complies with IAPMO UPC/cUPC
- California AB1953 compliant
- NSF - 61-9 tested and compliant
- ADA Accessibility Guidelines for Buildings and Facilities - 4.27.4 Controls and Mechanisms



EPA WaterSense Certified by IAPMO R&T



**Colors / Finishes**

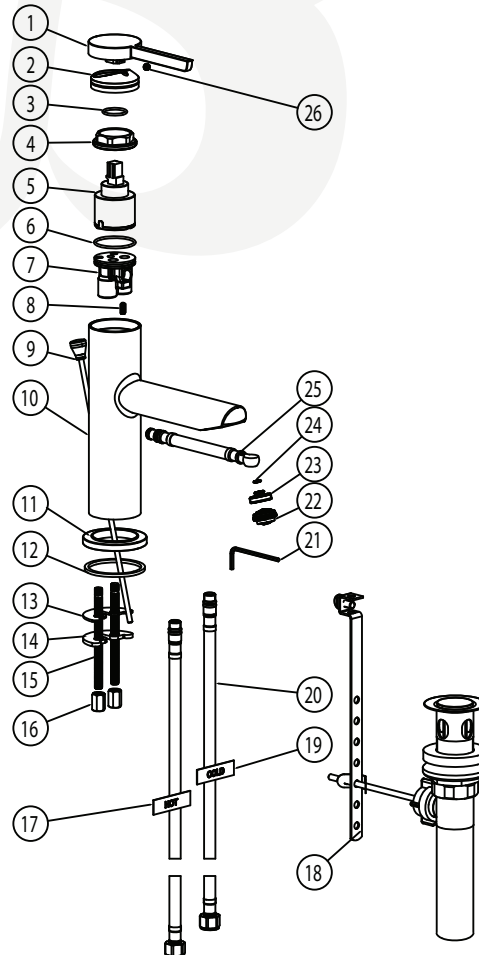
- W8129101-2** Chrome
- W8129102-2** PVD Satin Nickel
- W8129149-2** Matte Black

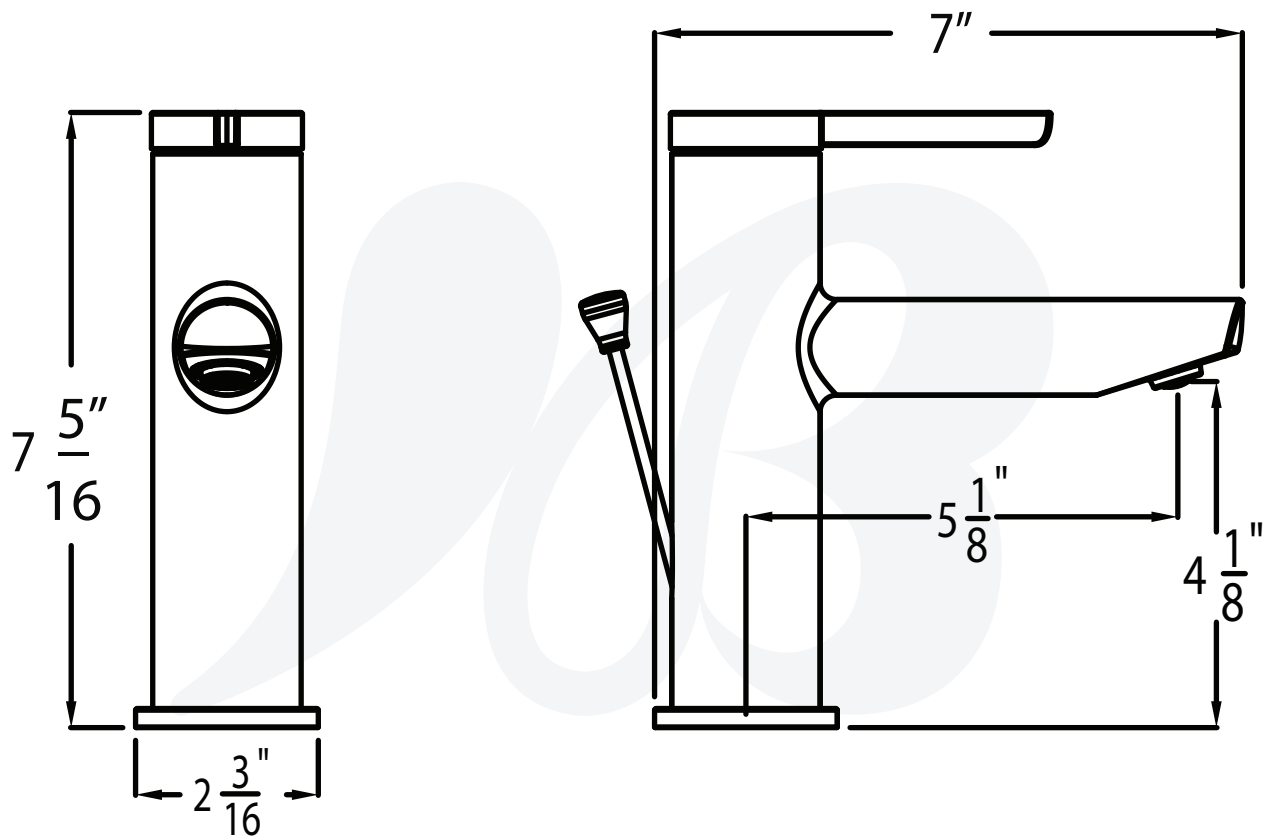


W8129101-2

**BREAK DOWN  
Component Parts List**

26	CTST0084	1
25	ATBP0541	1
24	CTRR0162	1
23	CTMNO133	1
22	ATBX0087	1
21	CCQT0002	1
20	ATBP0400	2
19	CZL00059-00	1
18	ATAA0062	1
17	CZL00058-00	1
16	CTNB0321	2
15	CTST0013	2
14	CTWT0103	1
13	CTWR0028	1
12	CTWR0384	1
11	CTDZ0107	1
10	CTYZ0033	1
9	ATBM0025	1
8	CTST0313	1
7	ATBD0158	1
6	CTRR0126	1
5	ATBA0196	1
4	CTKB0137	1
3	CTRR0044	1
2	CTCZ0300	1
1	CTHZ0687	1
NO.	PART NO.	QTY





Item Number	Type	Date
W8129101-2, W8129129-2, W8129149-2	Lavatory Faucet	8-24-2021