

W4520301-11, W4520302-11, W4520349-11 - Widespread Faucet

Description

EMORY II WIDE SPREAD

- 90° Turn handles
- Replaceable ceramic disc cartridges
- Brass pop-up drain included
- 1/2" NPSM connections
- 1.2 GPM



W4520301-11

Standards

- Complies with IAPMO UPC/cUPC
- California AB1953 compliant
- NSF - 61-9 tested and compliant
- ADA Accessibility Guidelines for Buildings and Facilities - 4.27.4 Controls and Mechanisms



EPA WaterSense Certified by IAPMO R&T



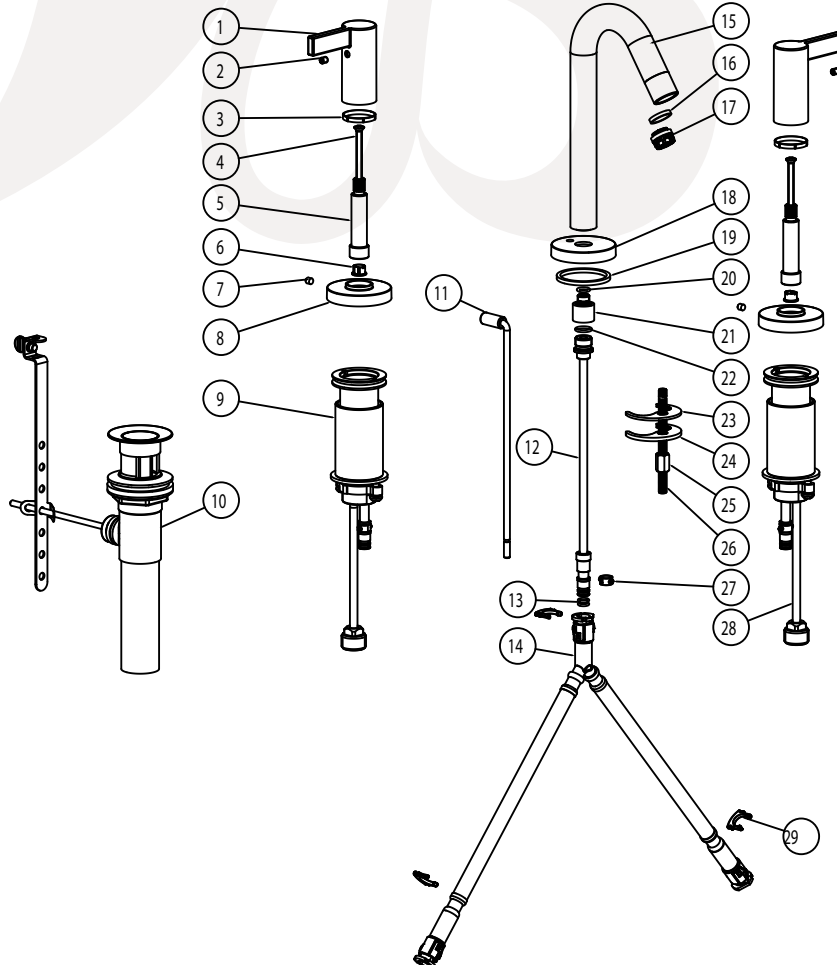
Colors / Finishes

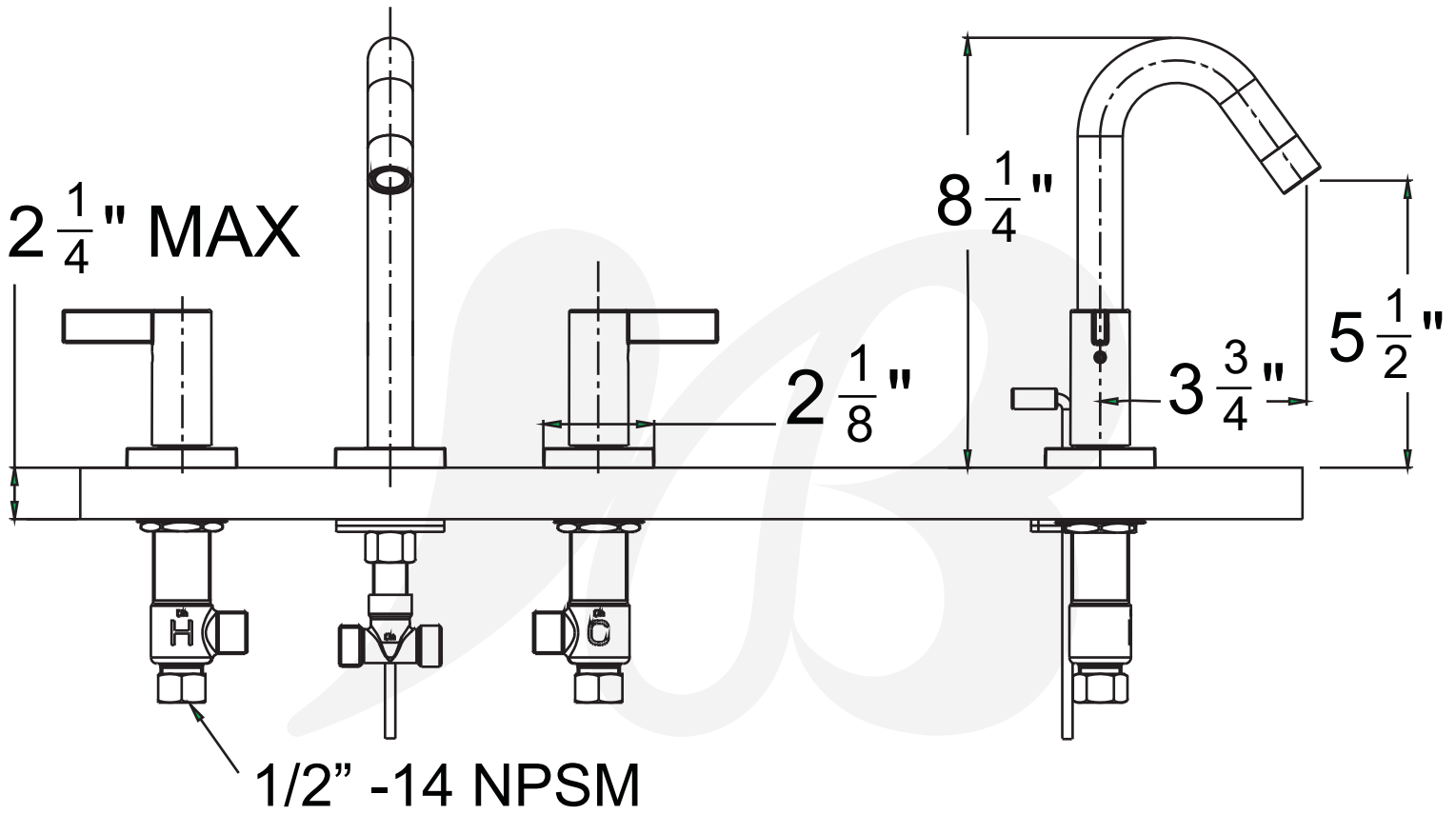
- W4520301-11 Chrome
- W4520302-11 PVD Satin Nickel
- W4520349-11 Matte Black

BREAK DOWN

Component Parts List

29	CTRP0102	3
28	ATBY0353	1
27	CTCP0485	1
26	CTST0013	1
25	CTNB0321	1
24	CTWT0104	1
23	CTWP0058	1
22	CTRR0273	1
21	CTMN0141	1
20	CTRR0207	1
19	CTWR0290	1
18	CTDZ0066	1
17	ATBX0095	1
16	CTWR0139	1
15	ATBF1105	1
14	ATBP0384	1
13	CTRR0066	2
12	ATBP1066	1
11	CTMT0028	1
10	ATAA0067	1
9	ATBY0352	1
8	CTCZ0168	2
7	CTST4101	2
6	CTCP0667	2
5	CTMB0975	2
4	CTST0230	2
3	CTWP0338	2
2	CTST0117	2
1	CTHZ0295	2
NO.	PART NO.	QTY





Item Number	Type	Date
W4520301-11, W4520302-11, W4520349-11	Widespread Faucet	8-24-2021