

Center Set Faucet
W3380001-2, W3380029-2

Description

- Metal lever handle
- "Reliaflo" 4" center set lavatory faucet
- Zinc die cast housing
- Ceramic disc cartridge
- 50-50 Pop-up assembly
- 20" SS braided hoses with 3/8" compression nuts
- 1.2 GPM @ 60 PSI

W3380001-2



Standards

- Complies with IAPMO UPC/cUPC
- California AB1953 compliant
- NSF - 61-9 tested and compliant
- ADA Accessibility Guidelines for Buildings and Facilities - 4.27.4 Controls and Mechanisms
- CALGreen compliant
- EPA WaterSense Certified by IAPMO R&T

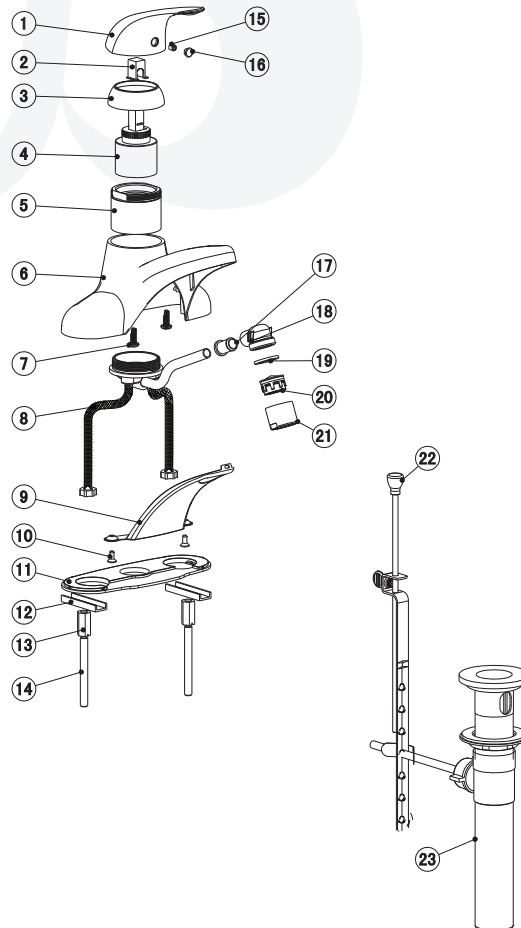


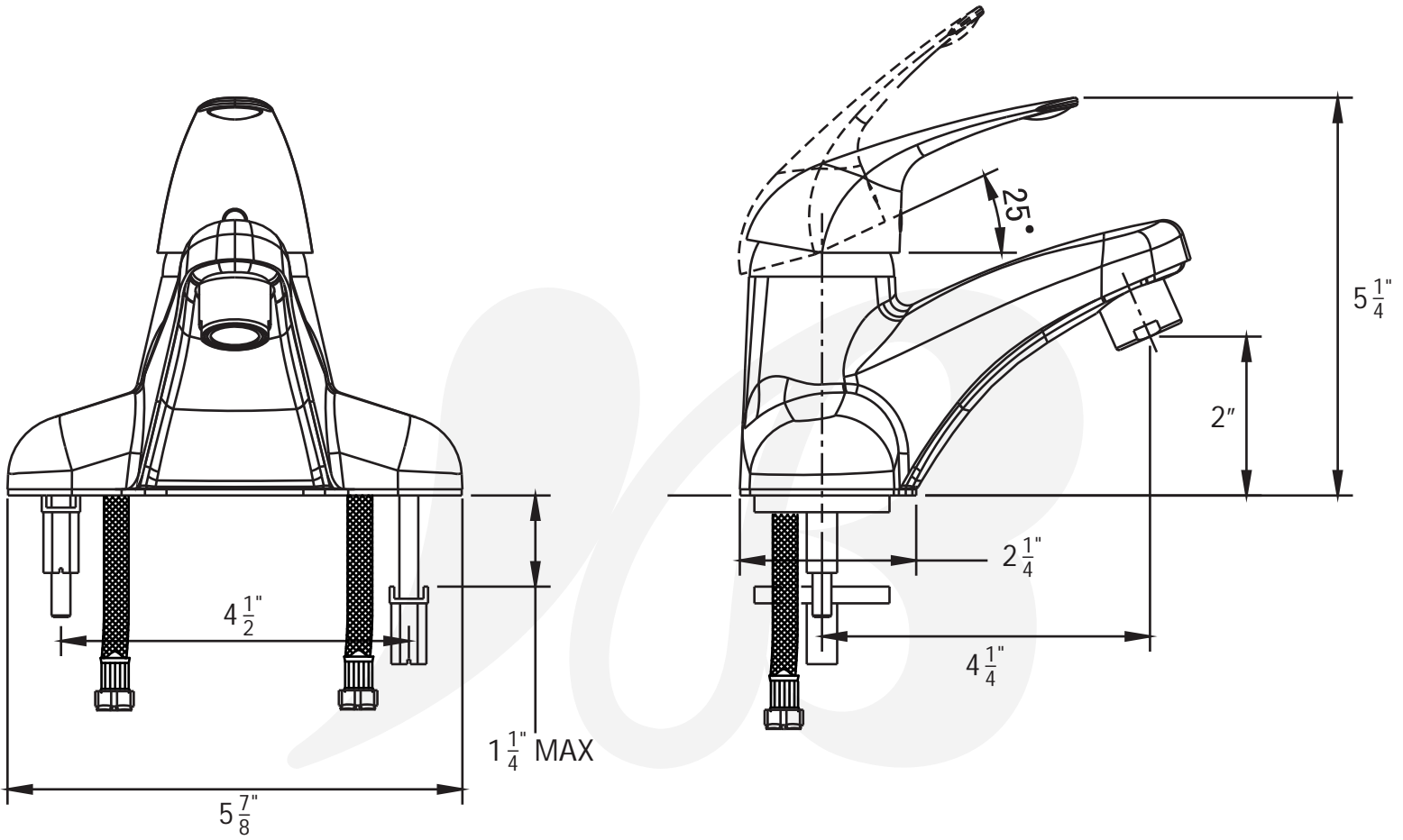
Colors / Finishes

- W3380001-2 - Chrome
- W3380029-2 - Satin Nickel

BREAK DOWN
Component Parts List

NO.	Part No	Qty
01	CTHZ0312	1
02	CTKP0020	1
03	CTCP0192	1
04	ATBA0121	1
05	CTCT0050	1
06	CTCZ0175	1
07	CTST0082	2
08	ATBY1011	1
09	CTCT0049	1
10	CTST0014	2
11	CTKP0130	1
12	CTKT0012	2
13	CTNB0063	2
14	CTST0011	2
15	CTST4101	1
16	CTCP0072	1
17	CTWR0234	1
18	CTFP0012	1
19	CTWR0021	1
20	ATBX0040	1
21	CTXB0056	1
22	ATBM0022	1
23	ATAA0067	1





Item Number	Type	Date
W3380001-2, W3380029-2	Center Set	6-23-2021