

W3211601-2, W3211629-2 - Single Handle Lavatory Faucet

Description

- Single hole lavatory faucet
- Ceramic disc cartridge
- SS Flex hoses with 3/8" compression nuts
- 1.2 GPM @ 60 PSI
- 50-50 Pop-up drain assembly included

Standards

- Complies with IAPMO UPC/cUPC
- California AB1953 compliant
- ADA Accessibility Guidelines for Buildings and Facilities - 427.4 Controls and Mechanisms
- CALGreen compliant
- EPA WaterSense Certified by IAPMO R&T



• W3211601-2

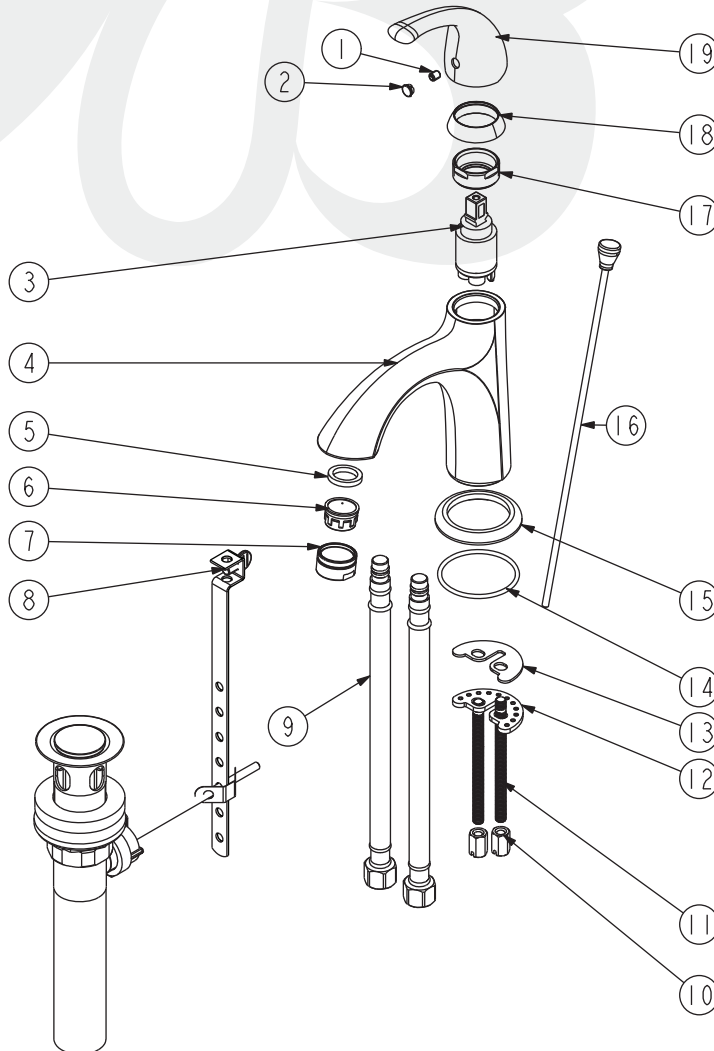


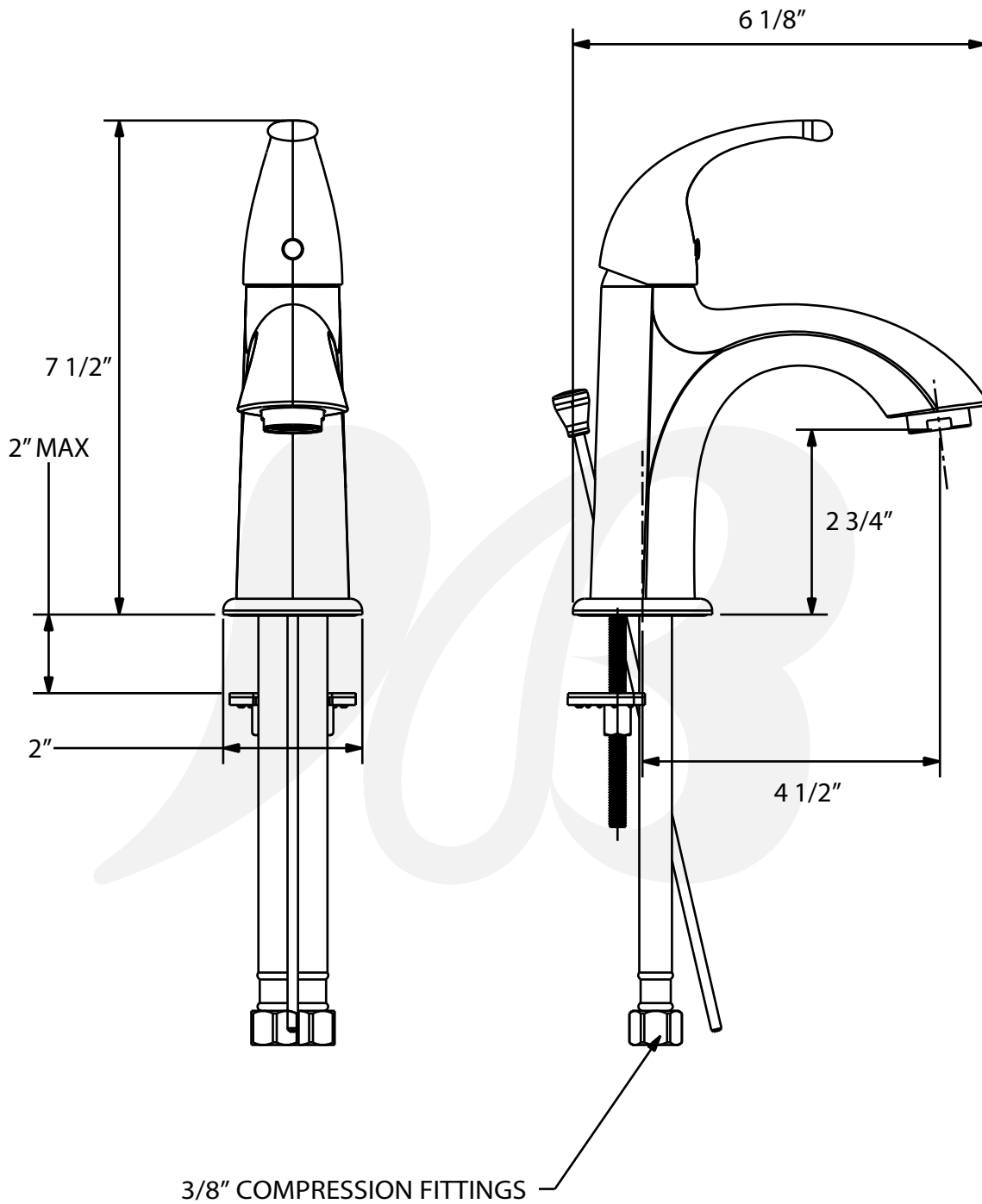
Colors / Finishes

- W3211601-2 - Chrome
- W3211629-2 - Satin Nickel
- W3211649-2 - Matte Black

**BREAK DOWN
Component Parts List**

19	CTHZ0607	1
18	CTCP0330	1
17	CTCB0416	1
16	ATBM0025	1
15	CTWB0109	1
14	CTRR0202	1
13	CTWR0028	1
12	CTWT0059	1
11	CTST0013	2
10	CTNB0063	2
9	ATBP0045	2
8	ATAA0062	1
7	CTXB0053	1
6	ATBX0096	1
5	CTWR0254	1
4	CTYN0138	1
3	ATBA0320	1
2	CTCP0072	1
1	CTST0117	1
NO.	Part No	Qty





Item Number	Type	Date
W3211601-2, W3211629-2	Single Hole Lavatory	5-7-2021