

Single Handle 4" Lavatory Faucet W3121101-2, W3121129-2

Description

- RELIAFLO Single hole lavatory faucet
- Ceramic disc cartridge
- 50-50 pop-up
- 1/2" NPS connections
- 1.2 GPM ASME Compliant

Standards

- ASME A112. 18.1 Compliant
- Listed IAPMO / UPC & CUPC
- ADA Accessibility Guidelines for Buildings and Facilities - 4.27.4 Controls and Mechanisms (lever handle only)
- NSF - 61-9 tested and approved
- CSA B125.1 Compliant and listed
- California AB1953 compliant
- CalGreen compliant
- Certified with EPA WaterSense



• W3121101-2

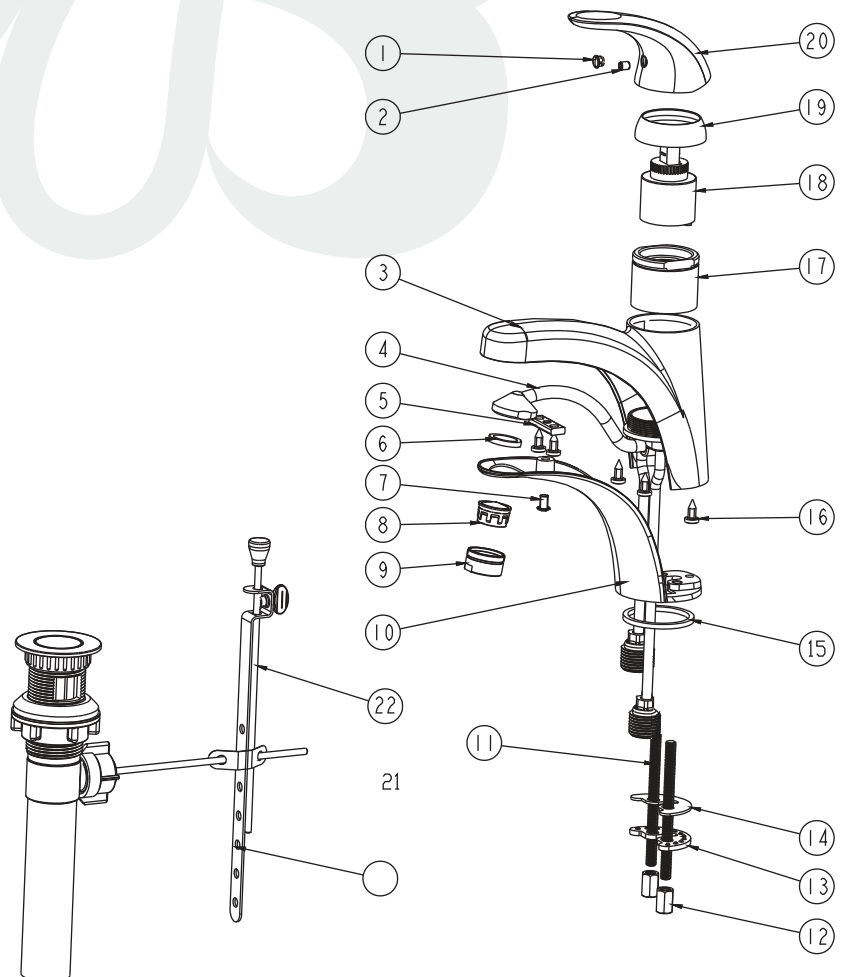
Colors / Finishes

W3121101-2 - Chrome

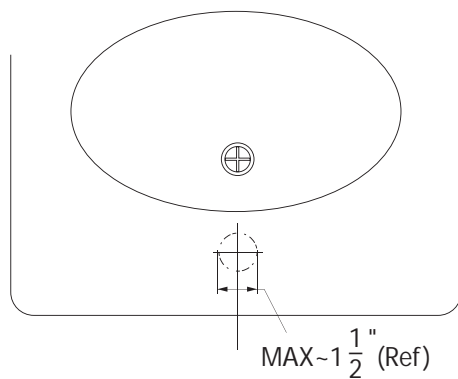
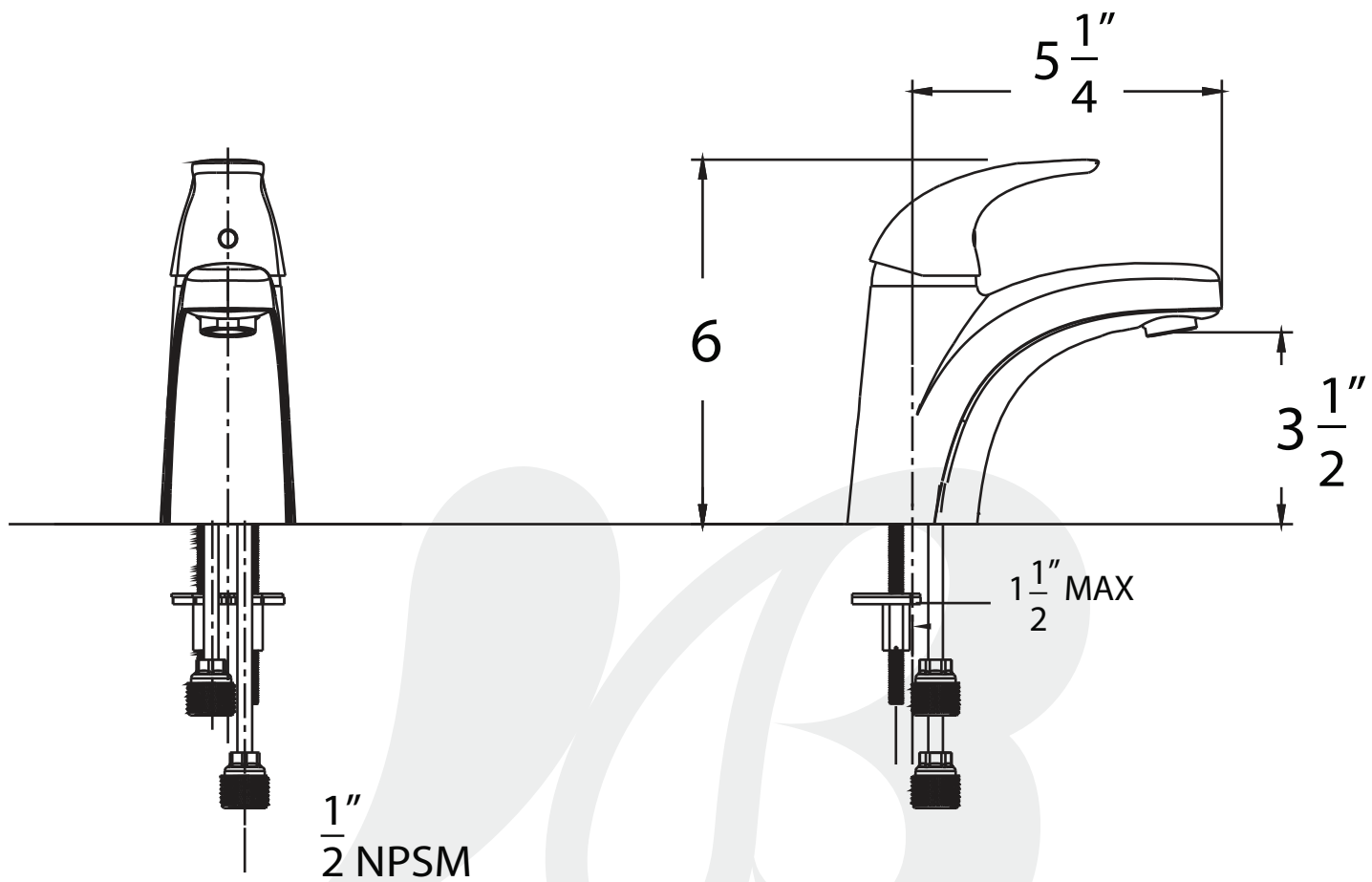
W3121129-2 - PVD Satin Nickel

BREAK DOWN

NO.	Part No	Qty		
		W3121101	W3121101-1	W3121101-2
01	CTCP0072	1	1	1
02	CTST0155	1	1	1
03	CTCZ0235	1	1	1
04	ATBY1027	1	1	1
05	CTDB0278	1	1	1
06	CTWR0254	1	1	1
07	CTST1002	1	1	1
08	ATBX0040	1	1	1
09	CTXB0053	1	1	1
10	CTCZ0210	1	1	1
11	CTST0013	2	2	2
12	CTNB0321	2	2	2
13	CTWT0059	1	1	1
14	CTWR0028	1	1	1
15	CTWR0290	1	1	1
16	CTST0194	5	5	5
17	CTCT0050	1	1	1
18	ATBA0121	1	1	1
19	CTCB0185	1	1	1
20	CTHZ0394	1	1	1
21	ATAA0062	0	0	1
22	ATAA0067	0	1	0
22	ATBM0025	0	1	1
23				



SPECIFIED MODEL



Item Number	Type	Date
W3121101-2, W3121129-2	Single handle Lavatory	6-25-2021