

**S7881301, S7881302, S7881316, S7881349 - Free Standing Tub Filler Faucet**

**Description**

- Free standing tub filler with handshower
- Ceramic disc cartridge
- 18 GPM @ 60 PSI
- Push - Pull Diverter
- Round handshower
- Adjustable handshower holder

**Standards**

- ASME A112.18.1 Compliant
- Listed IAPMO / UPC & CUPC
- ADA Accessibility Guidelines for Buildings and Facilities - 4.27.4 Controls and Mechanisms



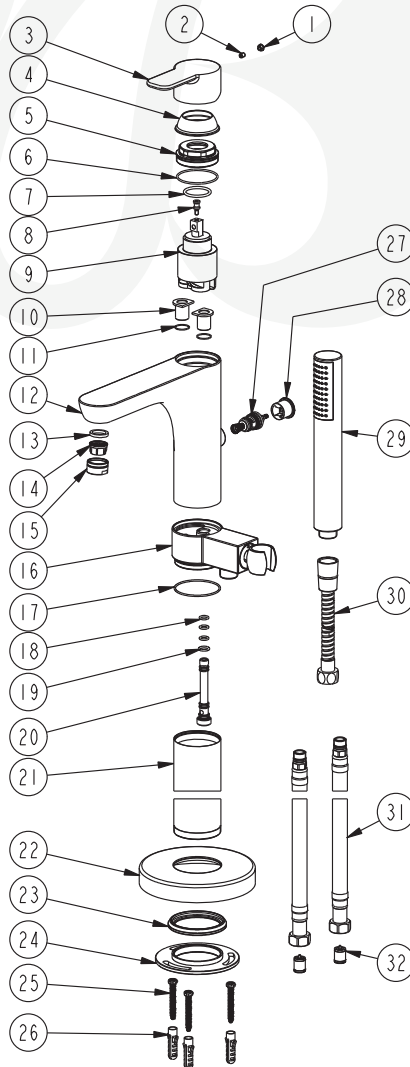
**Colors / Finishes**

- S7881301** Chrome
- S7881302** PVD Satin Nickel
- S7881316** PVD Satin Brass
- S7881349** Matte Black

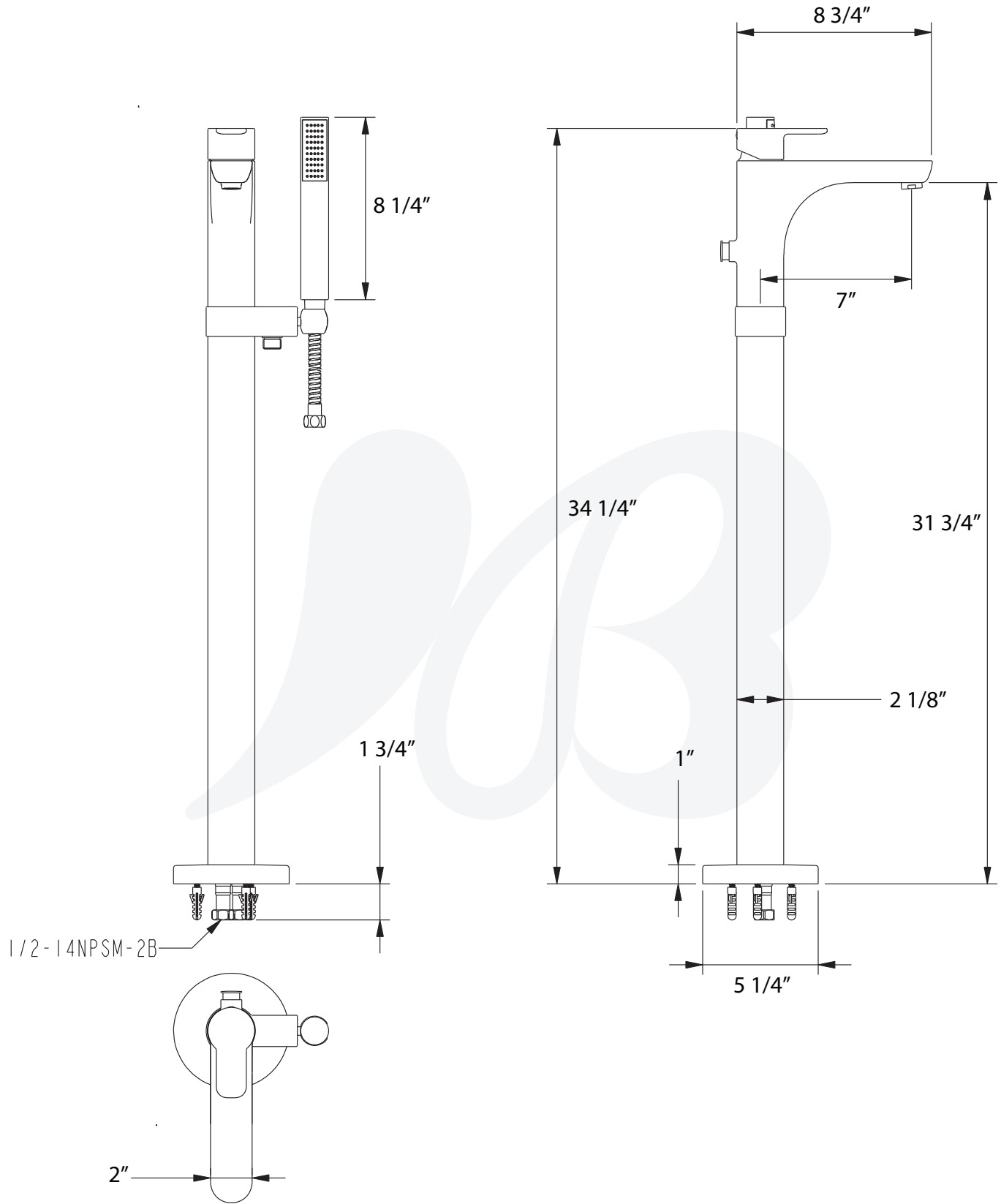


**Component Parts List**

|    |             |   |
|----|-------------|---|
| 32 | ATBA0243    | 2 |
| 31 | ATBP0460    | 2 |
| 30 | ATBP0412    | 1 |
| 29 | ATBE0121    | 1 |
| 28 | CTHZ0512_P4 | 1 |
| 27 | ATBA0221_P4 | 1 |
| 26 | CPQP0004    | 3 |
| 25 | CTST0114    | 3 |
| 24 | CTDB0568    | 1 |
| 23 | CTWR0405    | 1 |
| 22 | CTCT0115    | 1 |
| 21 | CTPB0616    | 1 |
| 20 | CTST0274    | 1 |
| 19 | CTRR0022    | 1 |
| 18 | CTRR0165    | 3 |
| 17 | CTRR0239    | 1 |
| 16 | ATBD0141    | 1 |
| 15 | CTXB0053    | 1 |
| 14 | CTOP0054    | 1 |
| 13 | CTWR0183    | 1 |
| 12 | CTYB0731    | 1 |
| 11 | CTRR0264    | 2 |
| 10 | CTCB0874    | 2 |
| 9  | ATBA0260    | 1 |
| 8  | CTST0205    | 1 |
| 7  | CTRR0050    | 1 |
| 6  | CTRR0060    | 1 |
| 5  | CTKB0146    | 1 |
| 4  | CTCB0774    | 1 |
| 3  | CTHZ0611    | 1 |
| 2  | CTST0117    | 1 |
| 1  | CTCP0072    | 1 |



# SPECIFIED MODEL



| Item Number                            | Type       | Date      |
|--|------------|-----------|
| S7881301, S7881302, S7881349, S7881316 | Tub Filler | 9/22/2021 |