

**S7481001, S7481002 - Roman Tub Filler With Handshower**

**Description**

- Metal lever handles
- 8" - 16" roman tub filler faucet
- 90 deg turn ceramic disc cartridges
- Quick connect spout installation
- 1/2" NPSM Connections
- 10 GPM
- With single setting handshower

**Standards**

- Complies with IAPMO UPC/cUPC
- ADA Accessibility Guidelines for Buildings and Facilities - 4.27.4 Controls and Mechanisms



• S7481001

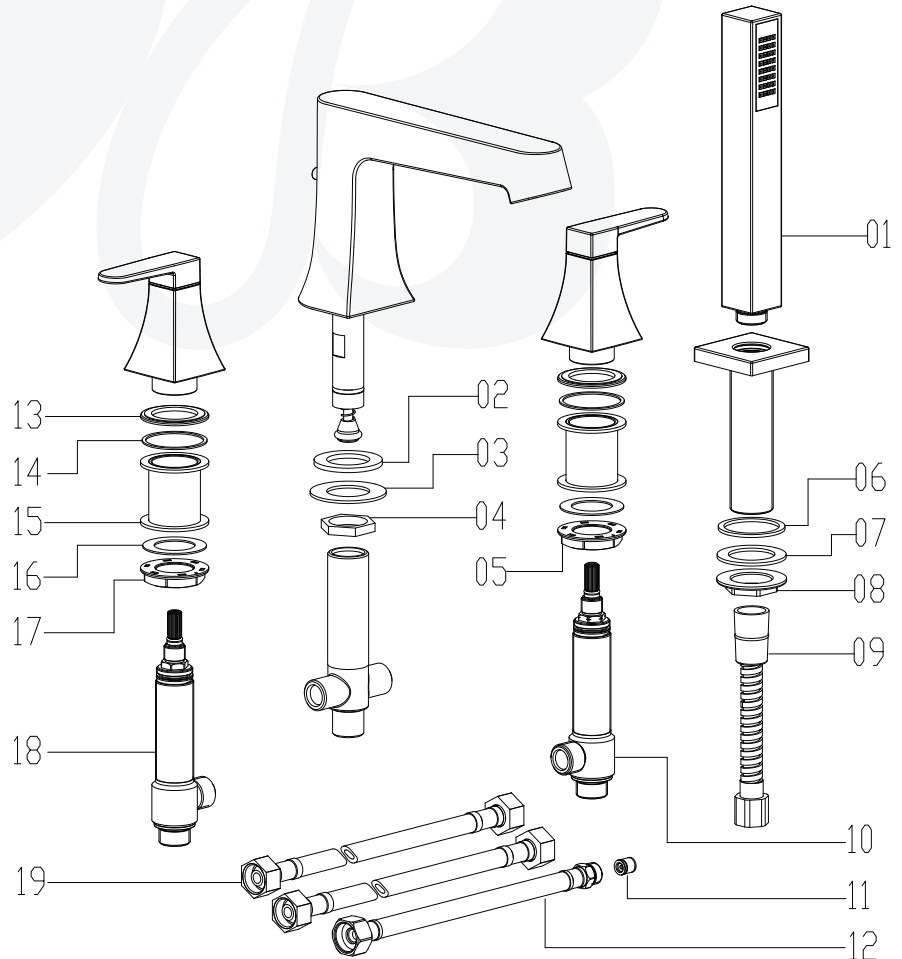


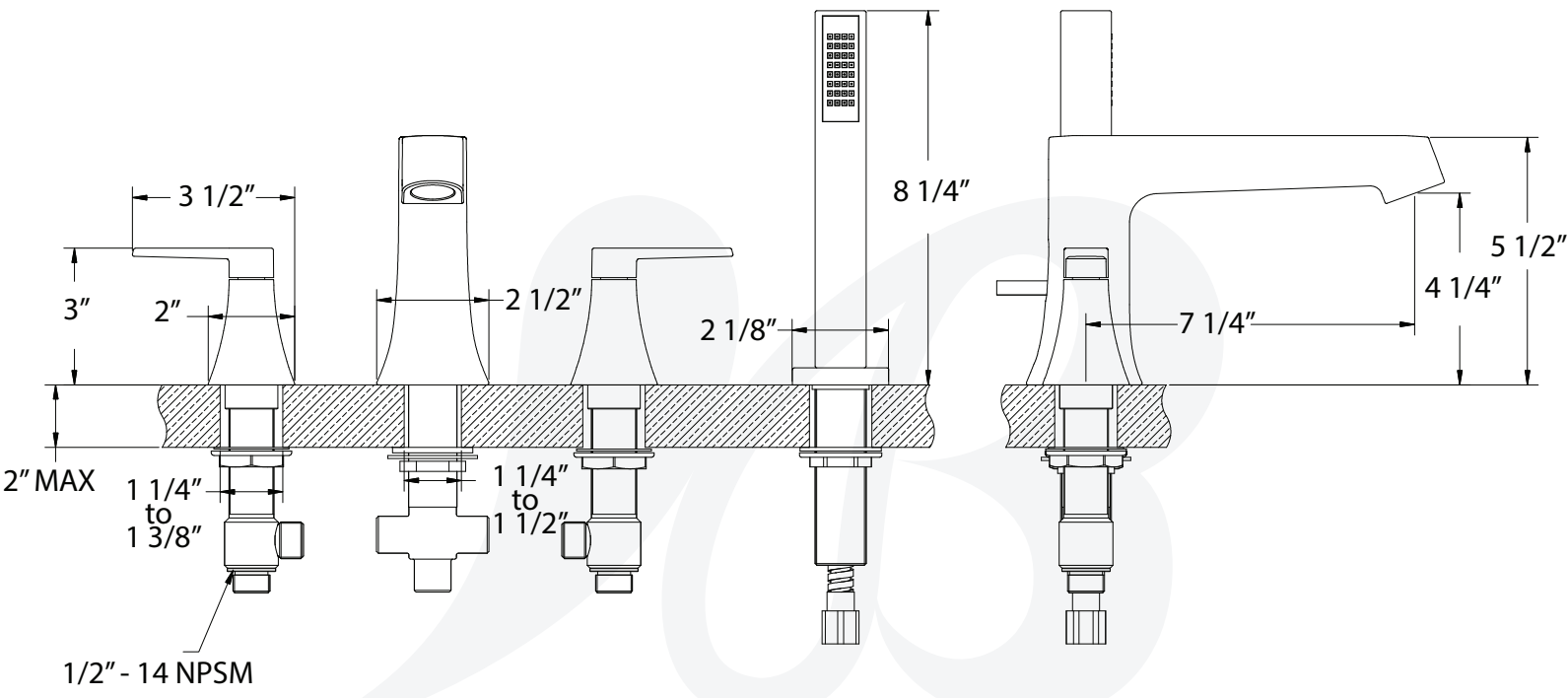
**Colors / Finishes**

- S7481001 - Chrome
- S7481002 - PVD Satin Nickel

**BREAK DOWN**  
**Component Parts List**

NO.	Description	Part No.	Qty
01	SHOWER	ATBE0164	1
02	WASHER	CTWR0217	1
03	WASHER	CTWT0038	1
04	NUT	CTNB0156	1
05	NUT	CTNP0045-XR	1
06	WASHER	CTWR0207	1
07	WASHER	CTWR0061	1
08	NUT	CTNB0016	1
09	HOSE	ATBP0070	1
10	VALVE (COLD)	ATBQ2002	1
11	CHECKSTOP	ATBA0100	1
12	HOSE	CTCP0072	1
13	WASHER	CTWL0002	2
14	WASHER	CTWR0347	2
15	WASHER	CTDT0002	2
16	WASHER	CTWQ0006	2
17	NUT	CTNP0045-XD	2
18	VALVE (HOT)	ATBQ2003	1
19	HOSE	ATBP0313	2





Item Number	Type	Date
S7481001, S7481002	Roman Tub Filler	8/8/2017