

S7460501, S7460502 - Roman Tub Filler With Hand Shower

Description

ROMAN TUB FILLER

- With pull-out hand shower
- 90° Turn lever handles
- Lift up diverter knob
- Ceramic disc cartridges
- Quick connect spout installation
- Long reach spout
- 1.5 GPM Hand shower



• S7460501

- Complies with IAPMO UPC/cUPC
ADA Accessibility Guidelines for
Buildings and Facilities - 4.27.4
Controls and Mechanisms

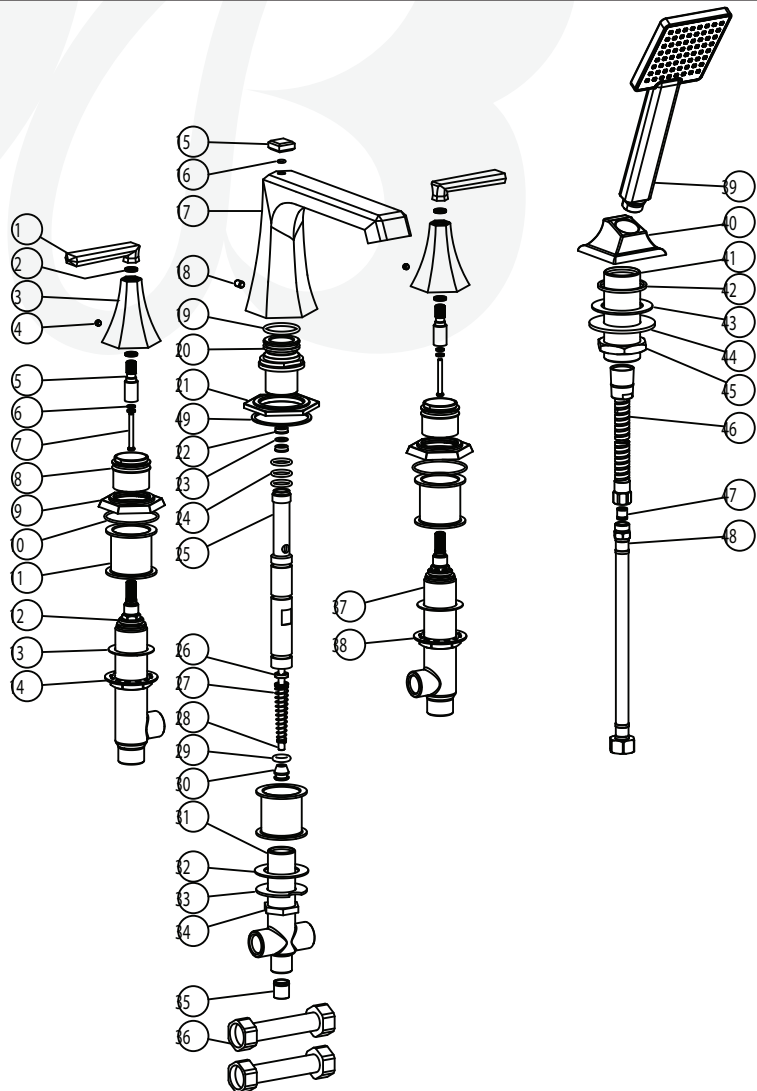


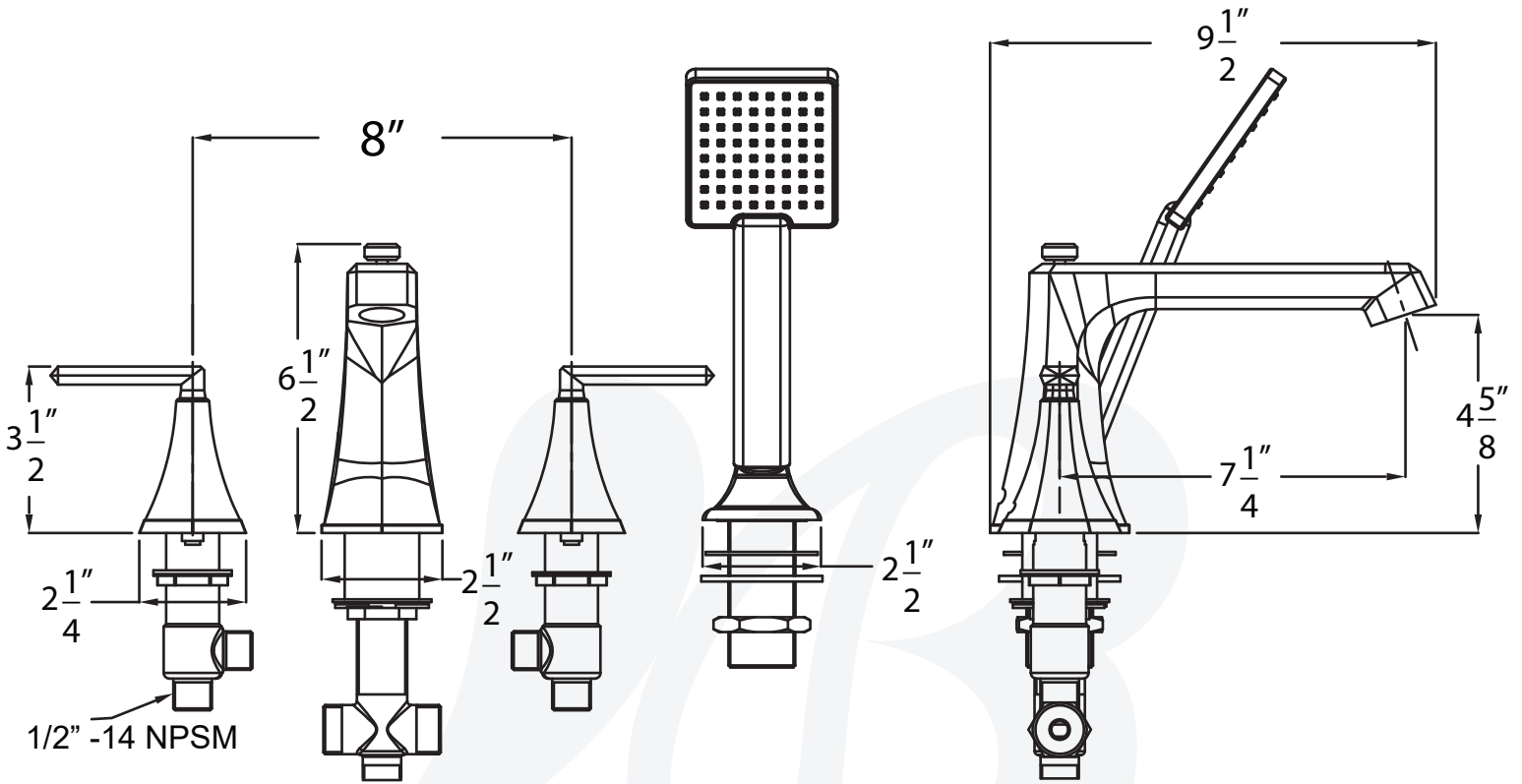
Colors / Finishes

- S7460501** Chrome
- S7460502** PVD Satin Nickel

BREAK DOWN
Component Parts List

NO.	Part NO.	QTY
1	CTHZ0301	2
2	CTWPO208	4
3	CTDZ0068	2
4	CTST0084	2
5	CTMB0627	2
6	CTWT0009	4
7	CTST0017	2
8	CTNB0273	2
9	CTDZ0189	2
10	CTRR0247	2
11	CTCT0035	3
12	ATBA3006-XR	1
13	CTWQ0007	2
14	CTNP0046-XR	1
15	CTMZ0019	1
16	CTRR0164	1
17	CTVB0506	1
18	CTST0137	1
19	CTRR0137	1
20	CTTB0035	1
21	CTDB0699	1
22	CTRR0138	2
23	CTWB0089	1
24	CTRR0082	3
25	CTPB0405	1
26	CTRP0067	1
27	CTBT0070	1
28	CTMT0032	1
29	CTRR0139	1
30	CTDB0133	1
31	CTPB0427	1
32	CTWR0115	1
33	CTWT0038	1
34	CTNB0156	1
35	ATBA0182	1
36	ATBP0013	2
37	ATBA3006-XD	1
38	CTNP0046-XD	1
39	ATBE0157	1
40	CTDB0305	1
41	CTPB0222	1
42	CTWR0157	1
43	CTWR0042	1
44	CTWT0043	1
45	CTNB0178	1
46	ATBP0070	1
47	ATBA0100	1
48	ATBP0071	1
49	CTWR0382	1





Item Number	Type	Date
S7460501, S7460502	Roman Tub Filler	8-23-2021