

S7424701, S7424702, S7424703 - Thermostatic Roman Tub Filler With Handshower

Description

- Thermostatic Roman Tub Filler
- Two way diverter with stop
- Brass tub spout
- Single setting handshower with pause function
- 59" Metal shower hose
- 1.8 GPM @ 60 PSI handshower
- 18 GPM @ 60 PSI Tub filler

Standards

- Complies with IAPMO UPC/cUPC
- ASME A112.18.1
- Complies with B125.1
- ADA Accessibility Guidelines for Buildings and Facilities - 4.27.4
- ASSE 1070 Certified and listed



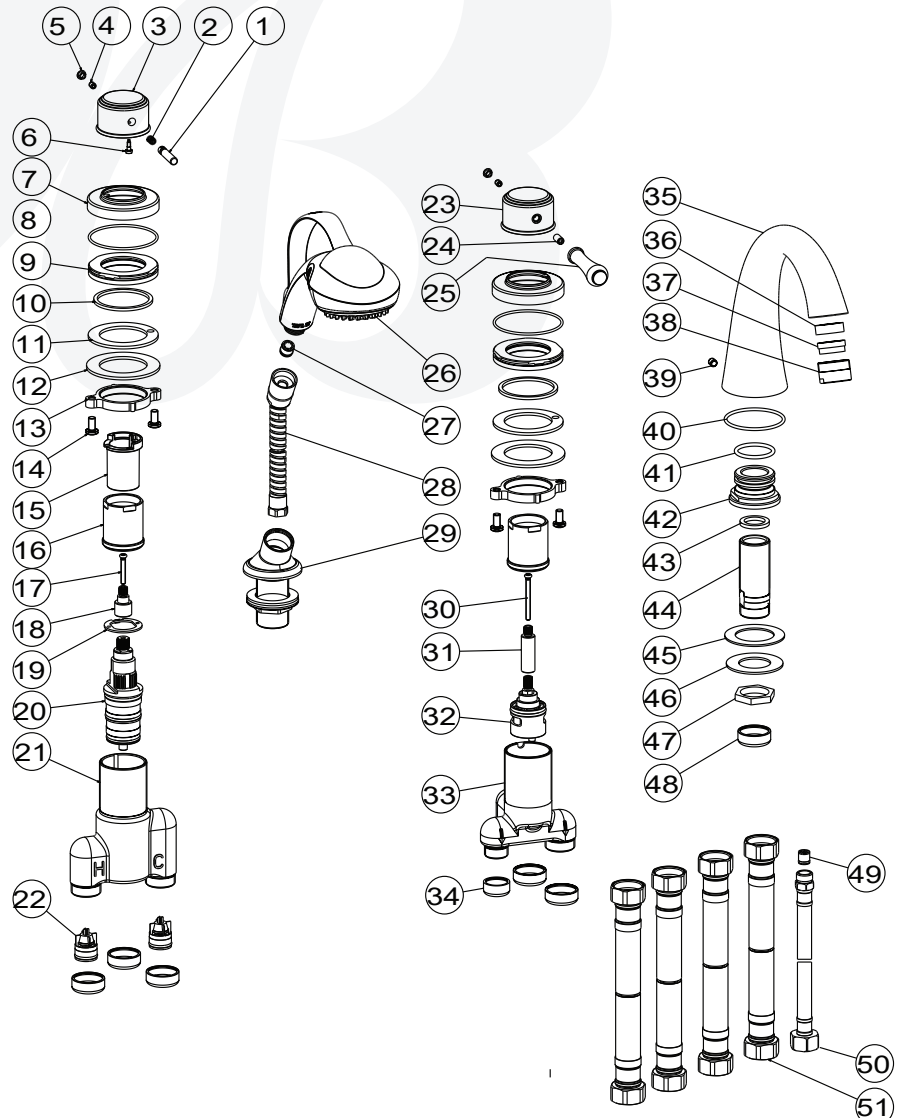
• S7424701 - Chrome

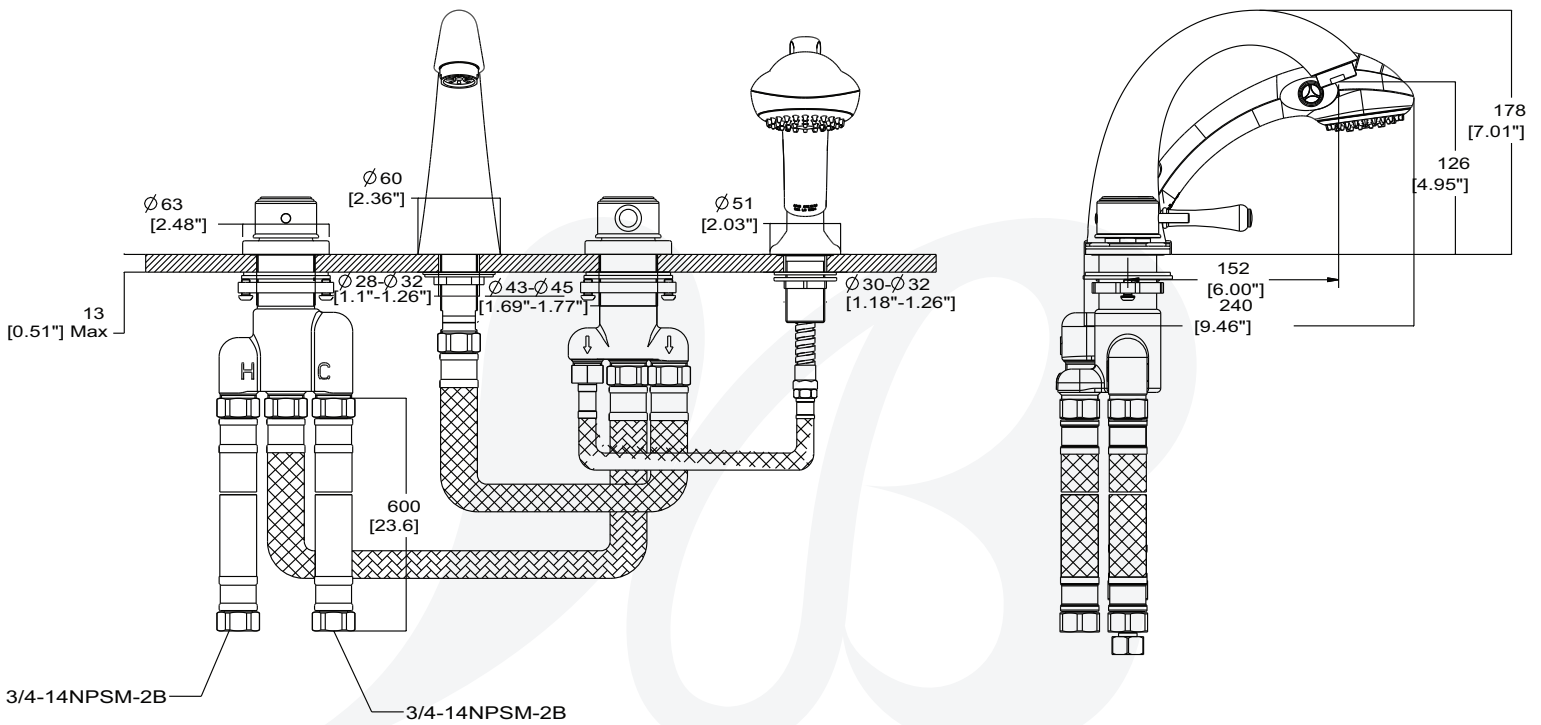
Colors / Finishes

- S7424701 - Chrome
- S7424702 - PVD Satin Nickel
- S7424703 - Antique Bronze

BREAK DOWN

| NO. | Drawing No. | Part Desc | Qty |
|-----|-------------|---------------|-----|
| 1 | CTHB0373 | PUSH-BUTTON | 1 |
| 2 | CTBT0099 | SPRING | 1 |
| 3 | CTDB0614 | HANDLE BODY | 1 |
| 4 | CTST0117 | SCREW | 2 |
| 5 | CTCP0072 | CAP | 2 |
| 6 | CTBB0035 | PIN | 1 |
| 7 | CTCB0938 | COVER | 2 |
| 8 | CTRR0247 | O-RING | 2 |
| 9 | CTNB0416 | NUT | 2 |
| 10 | CTWR0384 | WASHER | 2 |
| 11 | CTWR0350 | WASHER | 2 |
| 12 | CTWT0107 | PLATE | 2 |
| 13 | CTNB0415 | NUT | 2 |
| 14 | CTST0308 | SCREW | 4 |
| 15 | CTCP0561 | STOP-RING | 1 |
| 16 | CTCB0937 | LOCK SLEEVE | 2 |
| 17 | CTST0050 | SCREW | 1 |
| 18 | CTMB0879 | ADAPTER | 1 |
| 19 | CTKT0073 | LOCATING RING | 1 |
| 20 | ATBA0370 | CARTRIDGE | 1 |
| 21 | CTYB0765 | BODY | 1 |
| 22 | ATBA0373 | CHECKSTOP | 2 |
| 23 | CTDB0615 | HANDLE BODY | 1 |
| 24 | CTST0136 | SCREW | 1 |
| 25 | CTHB0187 | HANDLE | 1 |
| 26 | ATBE0201 | SHOWER | 1 |
| 27 | ATBA0212 | CHECKSTOP | 1 |
| 28 | ATBP0070 | HOSE | 1 |
| 29 | ATBQ0256 | SUPPORTER | 1 |
| 30 | CTST0309 | SCREW | 1 |
| 31 | CTMB0880 | ADAPTER | 1 |
| 32 | ATBA0239 | DIVERTER | 1 |
| 33 | CTYB0766 | BODY | 1 |
| 34 | CTQP0023 | COVER | 1 |
| 35 | CTFB0275 | SPOUT | 1 |
| 36 | CTWR0018 | WASHER | 1 |
| 37 | CTQP0030 | AERATOR | 1 |
| 38 | CTXB0021 | AERATOR COVER | 1 |
| 39 | CTST0153 | SCREW | 1 |
| 40 | CTRR0108 | O-RING | 1 |
| 41 | CTRR0137 | O-RING | 1 |
| 42 | CTDB0131 | BASE | 1 |
| 43 | CTWR0146 | WASHER | 1 |
| 44 | CTPB0649 | SHANK | 1 |
| 45 | CTWR0115 | WASHER | 1 |
| 46 | CTWT0038 | PLATE | 1 |
| 47 | CTNB0156 | NUT | 1 |
| 48 | CTQP0073 | COVER | 6 |
| 49 | ATBA0100 | CHECKSTOP | 1 |
| 50 | ATBP0071 | HOSE | 1 |
| 51 | ATBP0516 | HOSE | 4 |





Inches marked in parentheses []

| Item Number | Type | Date |
|-------------|-------------------------------|------------|
| S7424701 | Thermostatic Roman Tub Filler | 12/28/2017 |