

S7420601-2, S7420629-2 - Roman Tub Faucet with hand shower

Description

- 4pc roman set w/ hand shower
- Lever handles
- 90 deg turn ceramic disc cartridges
- 59" metal shower hose
- 1/2" NPT connections
- 10 GPM



• S7420601-2

- Complies with IAPMO UPC/cUPC
- ADA Accessibility Guidelines for Buildings and Facilities - 4.27.4 Controls and Mechanisms

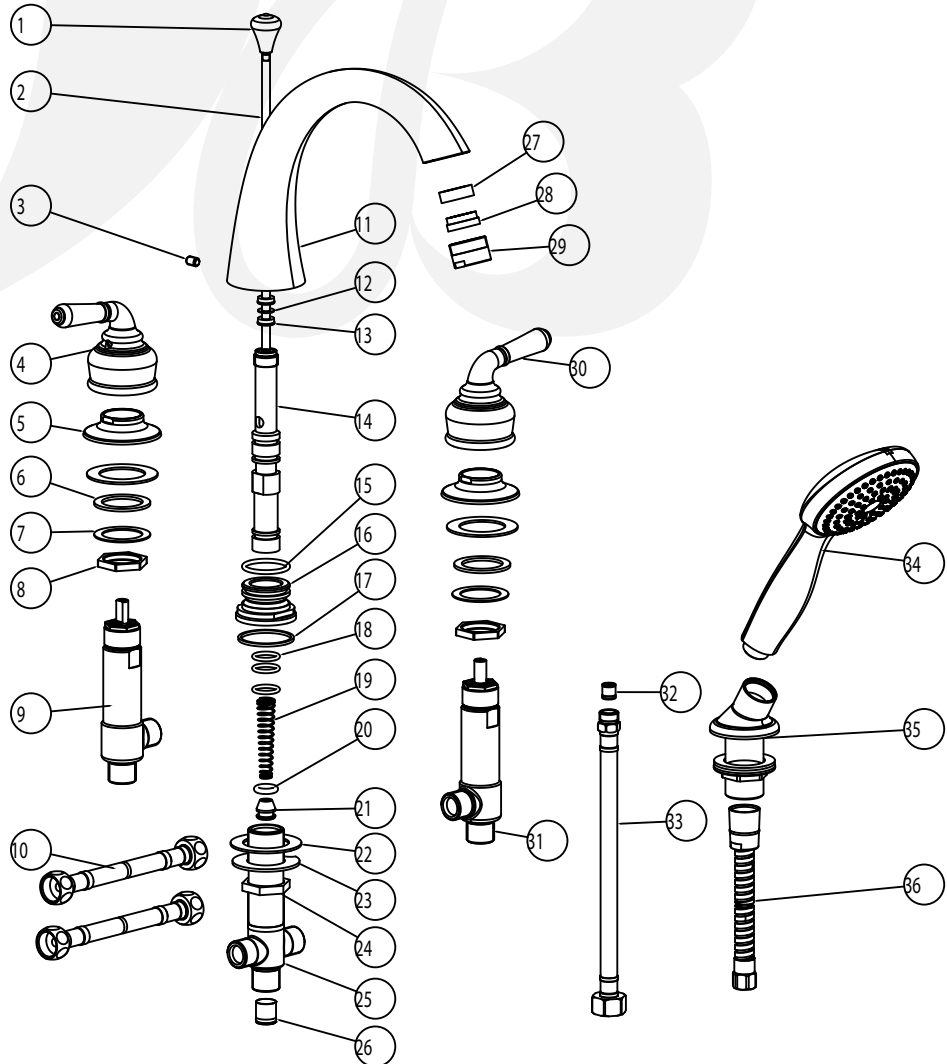


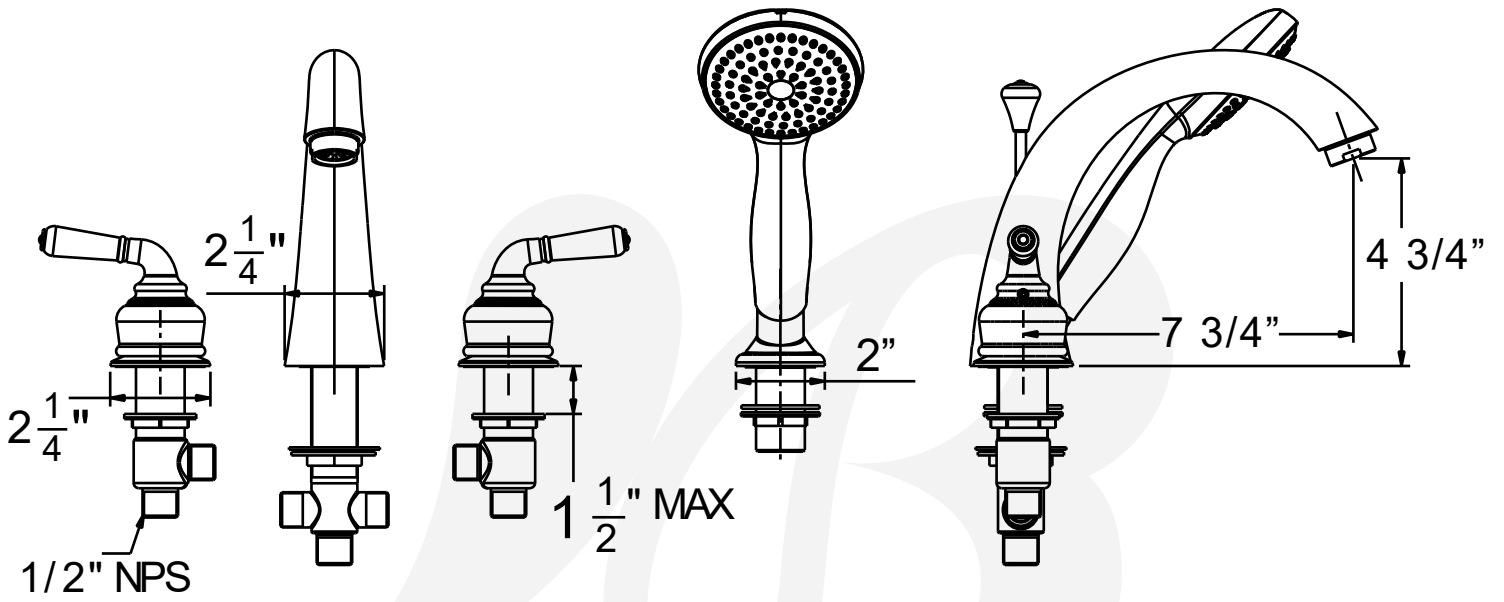
Colors / Finishes

- S7420601- Chrome
- S7420629- Satin Nickel

**BREAK DOWN
Component Parts List**

NO.	PART NO.	QTY
36	ATBP0070	1
35	ATBQ0256	1
34	ATBE0126	1
33	ATBP0071	1
32	ATBA0100	1
31	ATBA1050	1
30	ATBH0105	1
29	CTXB0021	1
28	CTQP0030	1
27	CTWR0018	1
26	ATBA4027	1
25	CTPB0188	1
24	CTNB0156	1
23	CTWT0038	1
22	CTWR0115	3
21	CTDB0133	1
20	CTRR0139	1
19	CTBT0070	1
18	CTRR0082	3
17	CTWR0060	1
16	CTDB0131	1
15	CTRR0137	1
14	CTPB0549	1
13	CTRR0138	2
12	CTWB0089	1
11	CTFB0263	1
10	ATBP0072	2
9	ATBA1049	1
8	CTNT0022	2
7	CTWT0065	2
6	CTWR0276	2
5	CTDB0427	2
4	ATBH0106	1
3	CTST0137	1
2	CTMT0044	1
1	CTHB0119	1
NO.	PART NO.	QTY





Item Number	Type	Date
S7420601, S7420629	Roman Tub Filler	7/30/2021