

S7280001 - Roman Tub Filler

Description

- Two piece roman tub filler faucet
- Push diverter mechanism
- Multi-setting handshower
- Standard 3/4" fittings
- 18 GPM @ 60 PSI
- 59" Hand Shower Hose

Standards

- Complies with IAPMO UPC/cUPC
- ADA Accessibility Guidelines for Buildings and Facilities - 4.27.4 Controls and Mechanisms



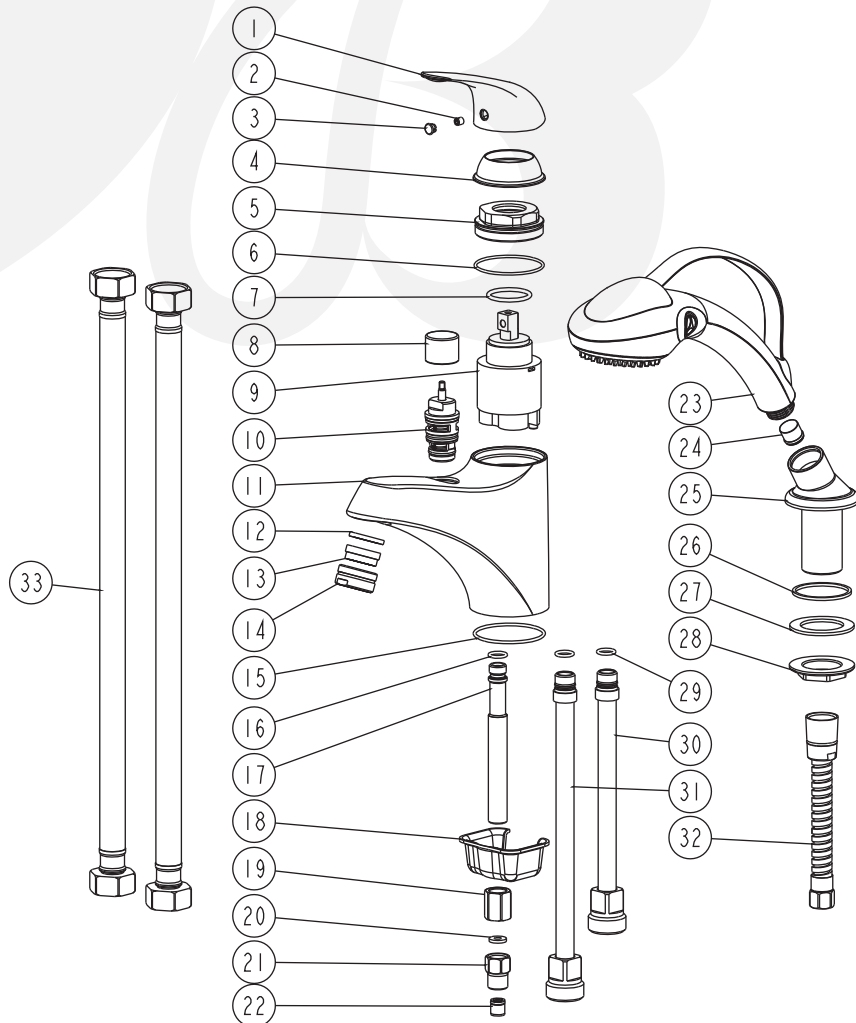
• S7280001

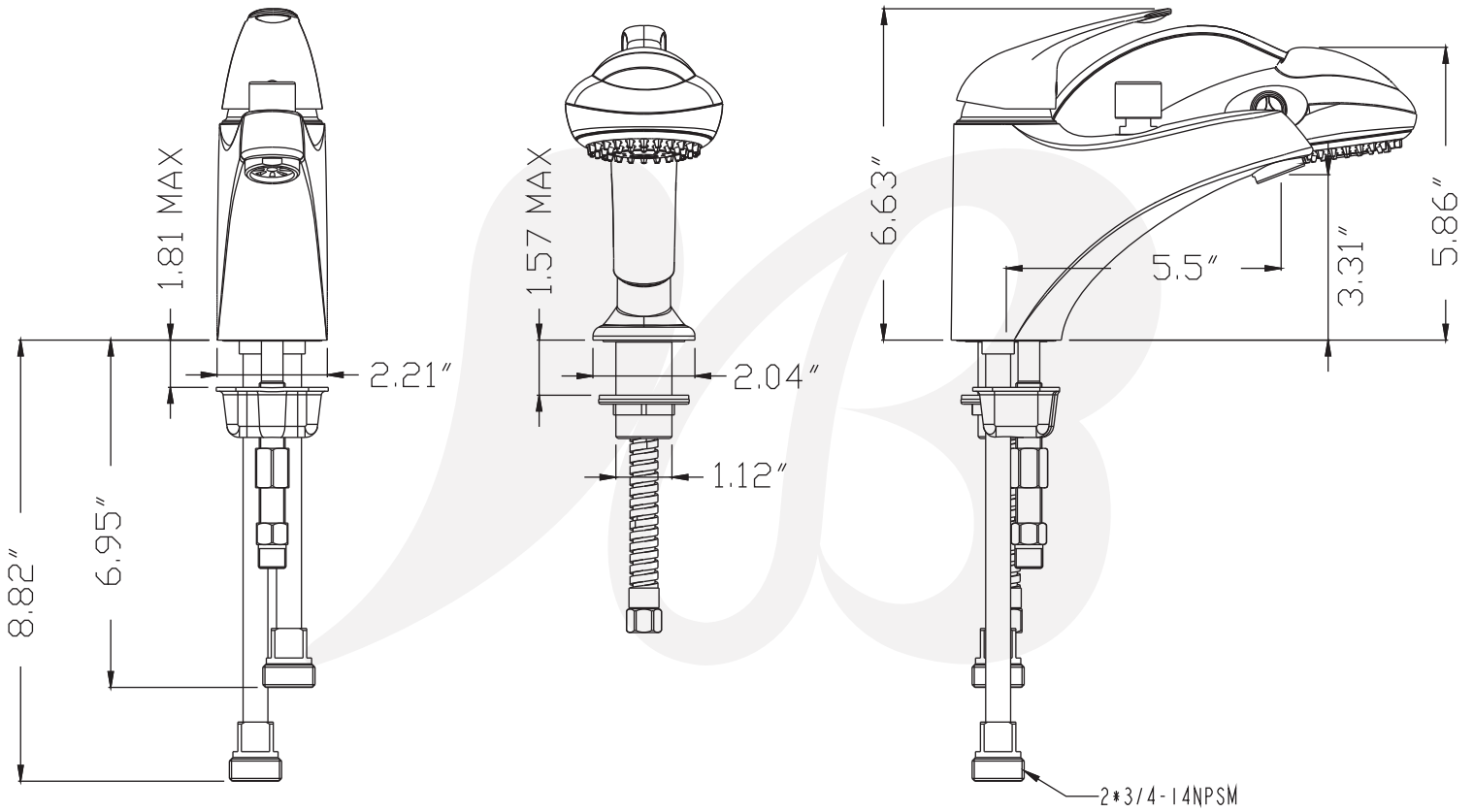
Colors / Finishes

S7280001 Chrome

**BREAK DOWN
Component Parts List**

NO.	Part No	Qty
01	CTHZ0312	2
02	CTST0117	2
03	CTCP0072	2
04	CTCB0774	2
05	CTKB0146	2
06	CTRR0060	2
07	CTRR0050	2
08	CTHB0289	2
09	ATBA0260	2
10	ATBA0261	2
11	CTYB0691	2
12	CTWR0036	2
13	CTQP0030	1
14	CTCB0173	2
15	CTRR0085	1
16	CTRR0048	1
17	CTPN0050	1
18	CTLT0023	1
19	CTNB0067	1
20	CTWR0377	1
21	CTNB0357	1
22	ATBA0100	1
23	ATBE0201	1
24	ATBA0123	1
25	CTDB0042	1
26	CTWR0060	1
27	CTWR0061	1
28	CTNB0016	1
29	CTRR0117	2
30	ATBP0375	1
31	ATBP0374	1
32	ATBP0070	1
33	ATBP0392	2





Item Number	Type	Date
S7280001	Roman Tub Filler	9-23-2021