

**PCB98301, PCB98302, PCB98303, PCB98314, PCB98316, PCB98349 - Face Plate Trim**

**Description**

**ROUND TWO BUTTON VALVE  
FACEPLATE TRIM**

- Face plate with temperature handle
- **Lower handle sold separately**

\* For use with P3223199 valve

**Standards**

- Complies with IAPMO UPC/cUPC



• PCB98301

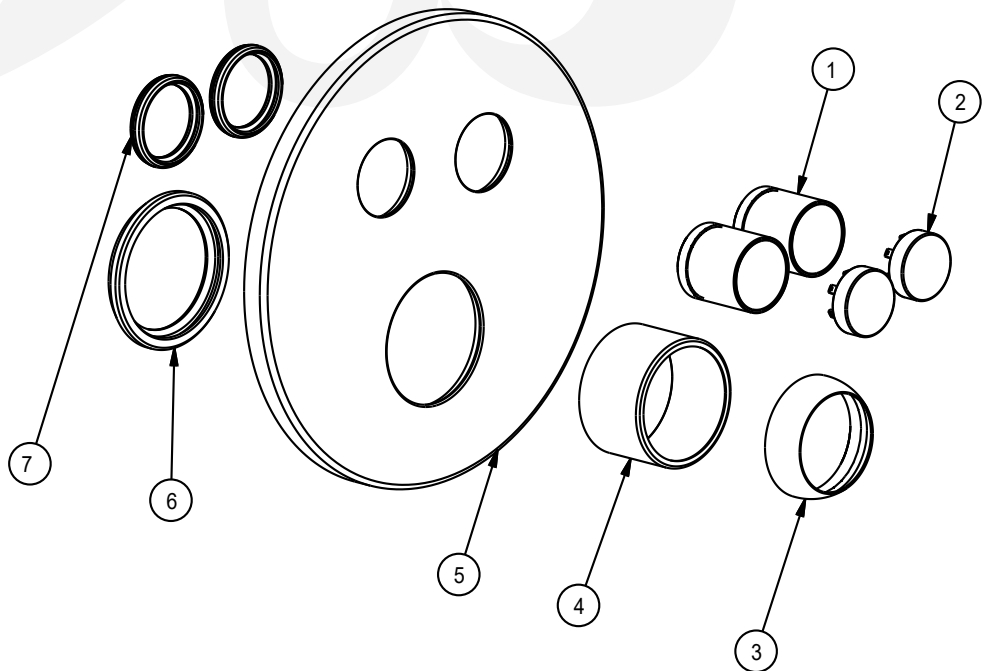
**Colors / Finishes**

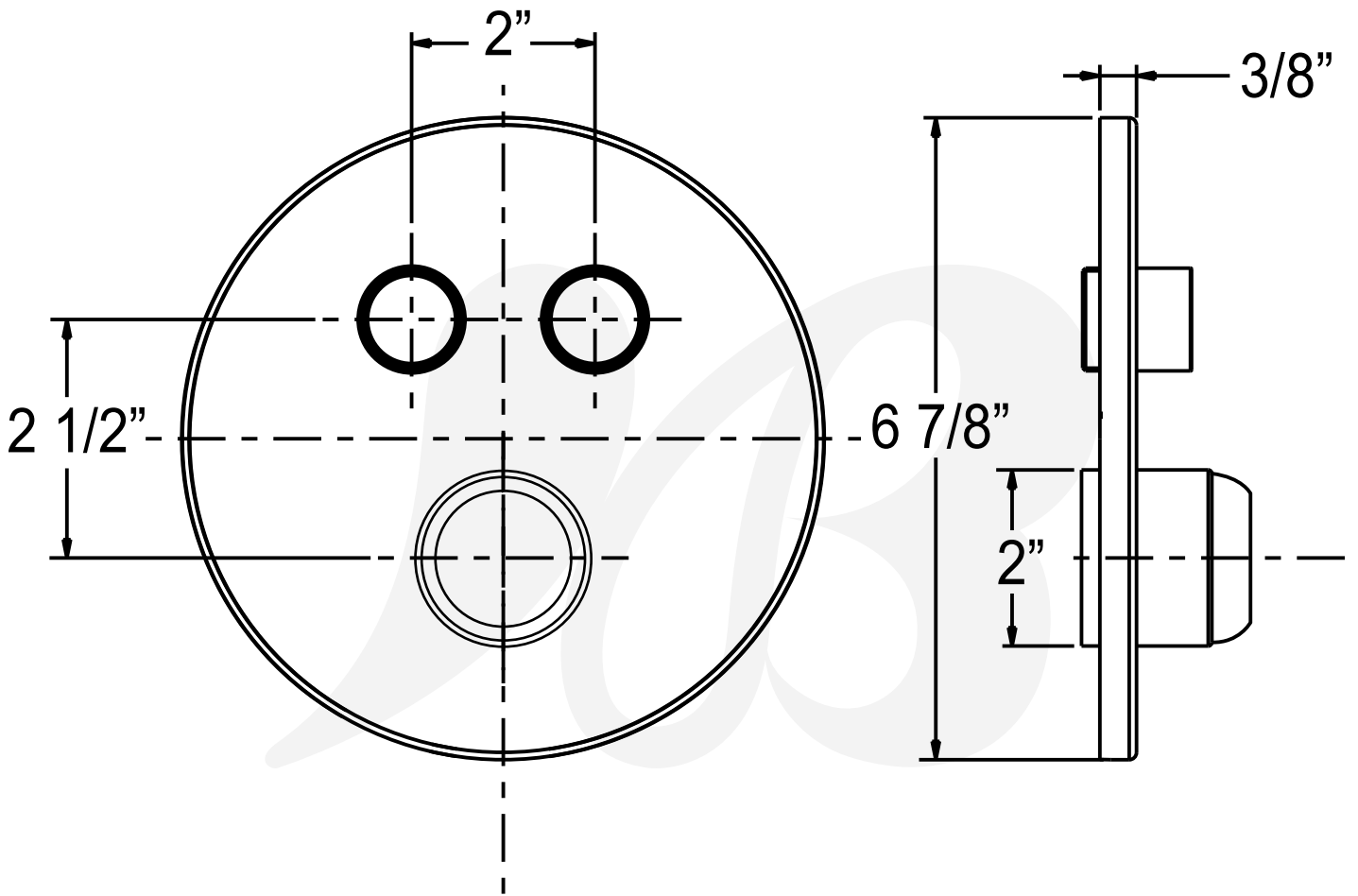
- PCB98301** Chrome
- PCB98302** PVD Satin Nickel
- PCB98303** Antique Bronze
- PCB98314** PVD Polished Nickel
- PCB98316** PVD Satin Brass
- PCB98349** Matte Black

**BREAK DOWN**

**Component Parts List**

NO.	Part Number	Quantity
7	CTWR0424	2
6	CTWR0356	1
5	CTCB0983	1
4	CTCB0670	1
3	CTCB0185	1
2	CTCP0605	2
1	CTCB0988	2





Item Number	Type	Date
PCB98301,PCB98302,PCB98303,PCB98314,PCB98316,PCB98349	Push Button Shower	9/23/2021