

P6326501-1, P6326529-1 - CloverTub and Shower Trim

Description

- Tub & shower trim kit
- Clover handle
- Five setting shower head
- Tub spout with diverter
- 1.5 GPM ASME Compliant
- VALVE SOLD SEPARATELY

Standards

- Complies with IAPMO UPC/cUPC
- ADA Accessibility Guidelines for Buildings and Facilities - 4.27.4 Controls and Mechanisms



P6326501-1

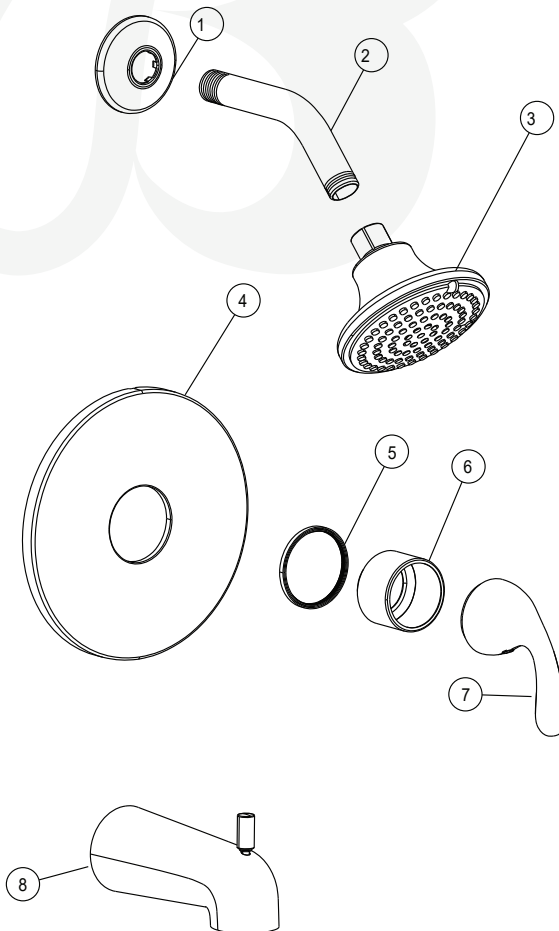


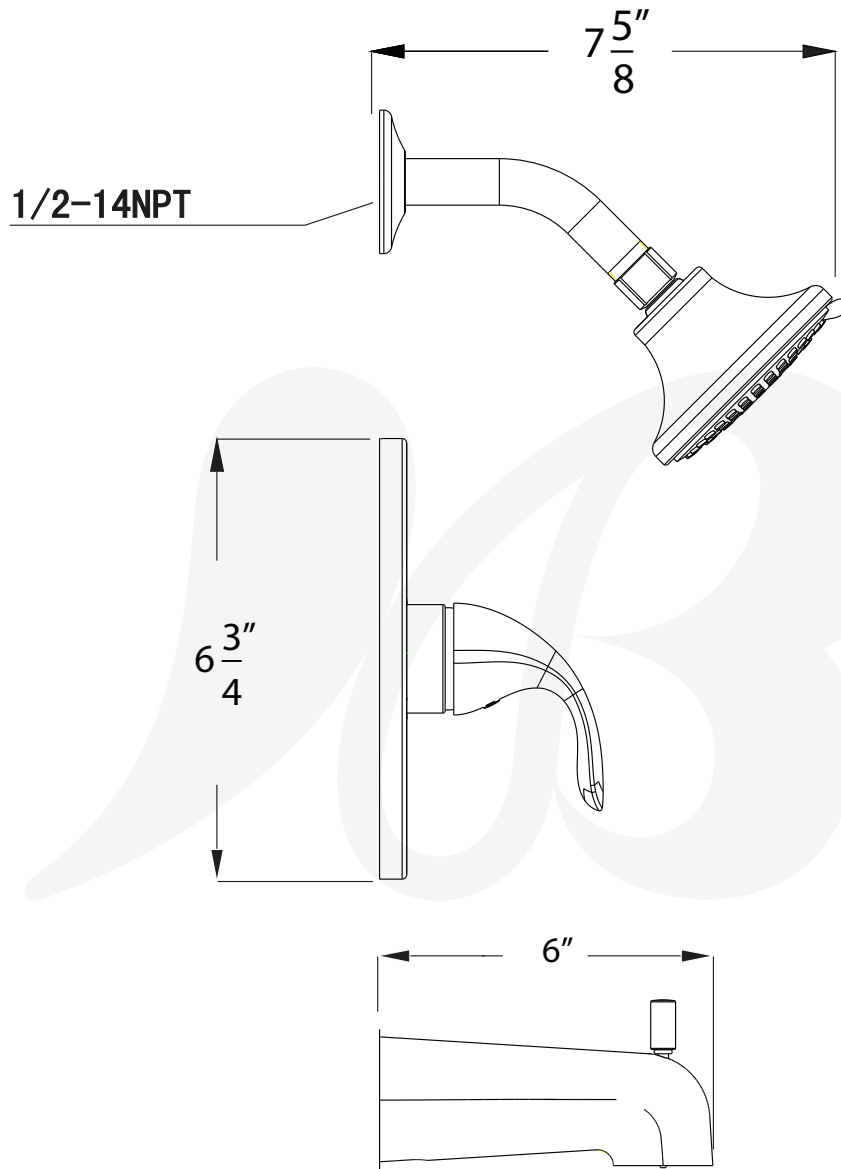
Colors / Finishes

- P6326501-1 - Chrome
- P6326529-1 - Satin Nickel

**BREAK DOWN
Component Parts List**

NO.	Part	Quantity
8	SPOUT	1
7	HANDLE	1
6	SLEEVE	1
5	RING	1
4	FACE PLATE	1
3	SHOWER HEAD	1
2	SHOWER ARM	1
1	FLANGE	1
NO.	Part	Quantity





Item Number	Type	Date
P6326501-1, P6326529-1	CLOVER TUB AND SHOWER	6/16/2021