

P6126501, P6126502 - Clover Shower Trim

Description

- Clover shower trim
- Clover handle
- Five setting shower head
- Face plate installs with two screws
- 1.5 GPM ASME Compliant
- VALVE SOLD SEPARATELY

Standards

- Complies with IAPMO UPC/cUPC
- ADA Accessibility Guidelines for Buildings and Facilities - 4.27.4 Controls and Mechanisms



P6126501

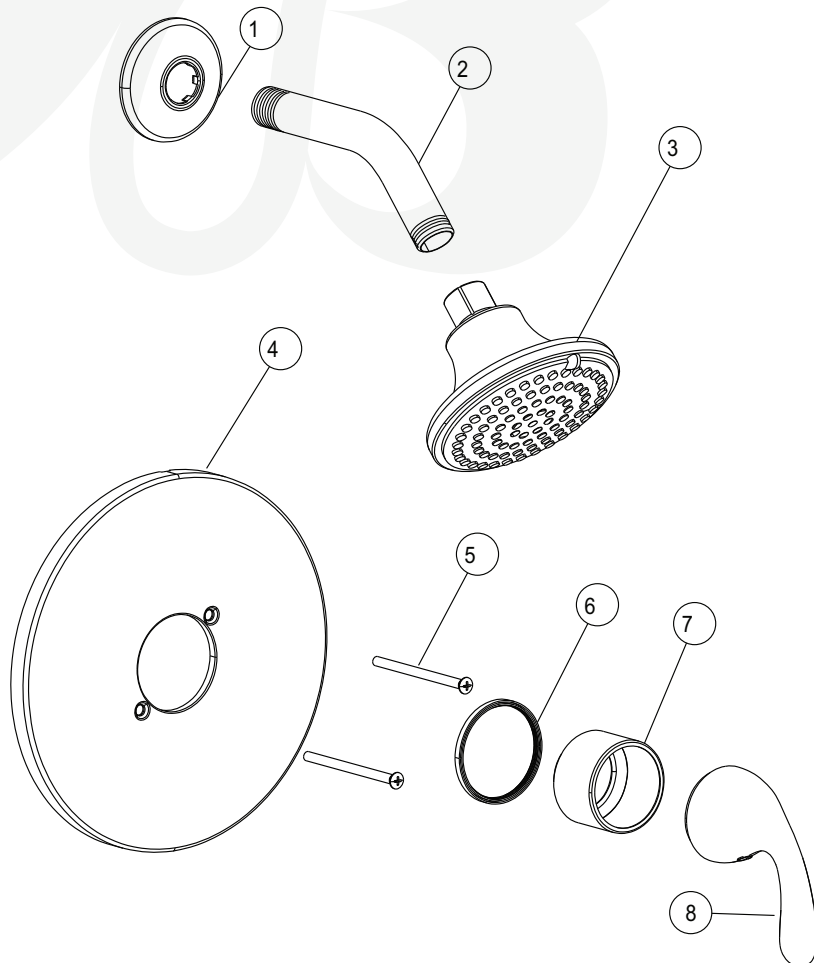


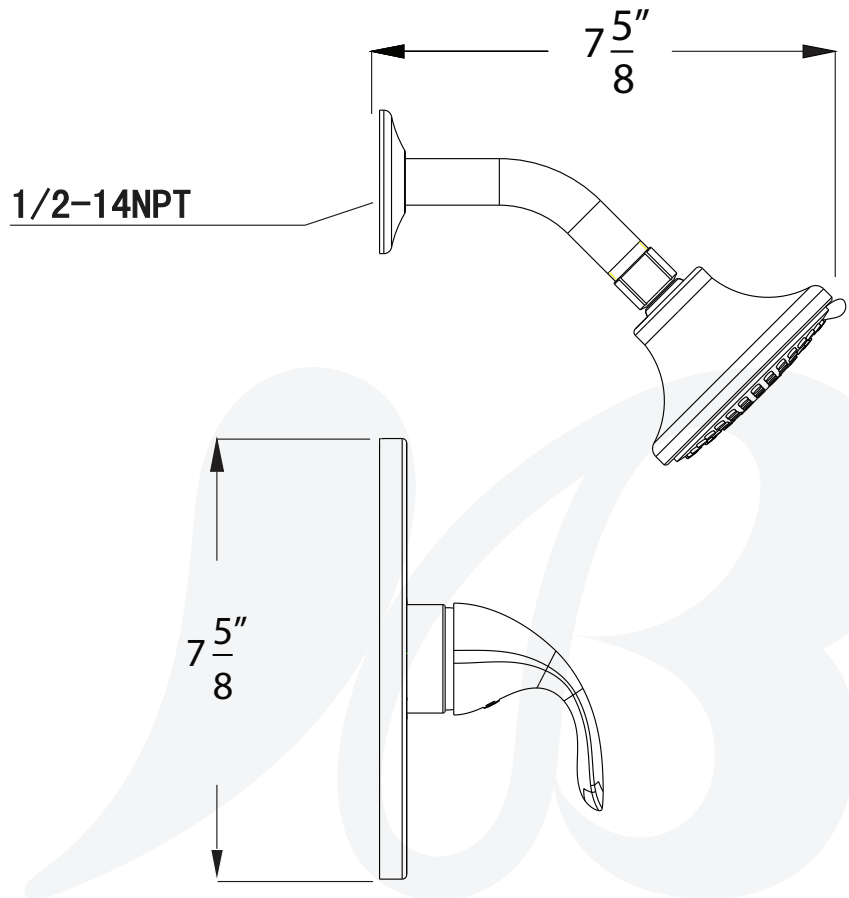
Colors / Finishes

- P6126501 -Chrome
- P6126502 -PVD Satin Nickel

**BREAK DOWN
Component Parts List**

NO.	Part	Quantity
8	HANDLE	1
7	SLEEVE	1
6	RING	1
5	SCREWS	2
4	FACE PLATE	1
3	SHOWER HEAD	1
2	SHOWER ARM	1
1	FLANGE	1
NO.	Part	Quantity





Item Number	Type	Date
P6126501, P6126502	CLOVER SHOWER TRIM	7/31/18