

P6126501-1, P6126529-1 - Clover Shower Trim

Description

- Clover shower trim
- Clover handle
- Five setting shower head
- Face plate installs with two screws
- 1.5 GPM ASME Compliant
- VALVE SOLD SEPARATELY

Standards

- Complies with IAPMO UPC/cUPC
- ADA Accessibility Guidelines for Buildings and Facilities - 4.27.4 Controls and Mechanisms



P6126501-1

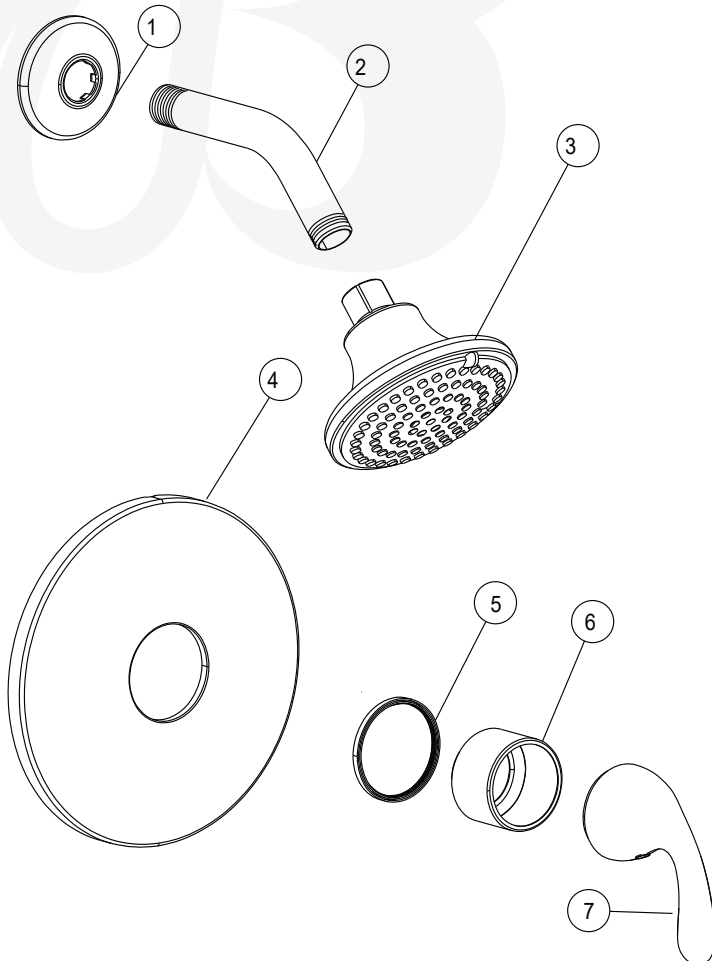


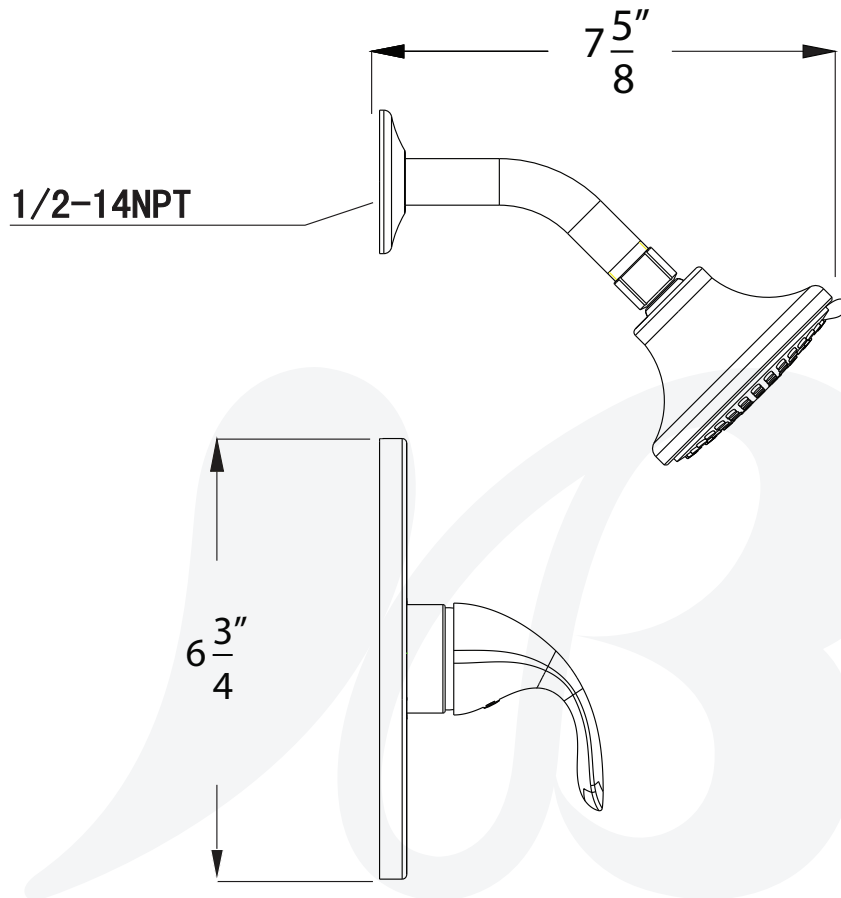
Colors / Finishes

- P6126501-1 - Chrome
- P6126529-1 - Satin Nickel

**BREAK DOWN
Component Parts List**

NO.	Part	Quantity
7	HANDLE	1
6	SLEEVE	1
5	RING	1
4	FACE PLATE	1
3	SHOWER HEAD	1
2	SHOWER ARM	1
1	FLANGE	1
NO.	Part	Quantity





Item Number	Type	Date
P6126501-1, P9126529-1	CLOVER SHOWER TRIM	6/16/2021