

**Shower valve rough in with push button on-off diverter - P3323199**


**Description**

- Ceramic disc valve
- Pressure Balanced cartridge
- Three button on-off diverter valve
- Three port outlet
- Hot and cold one way check valves
- Forged brass valve body
- Universal 1/2" IPS and 1/2" CC fittings
- Hot and Cold service stops
- Back to back installation
- 4 Anchor points for face plate installation and blocking to secure valve in wall

P3323199

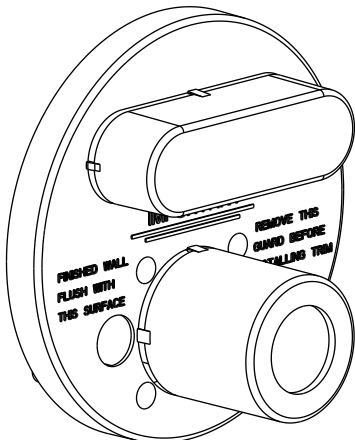
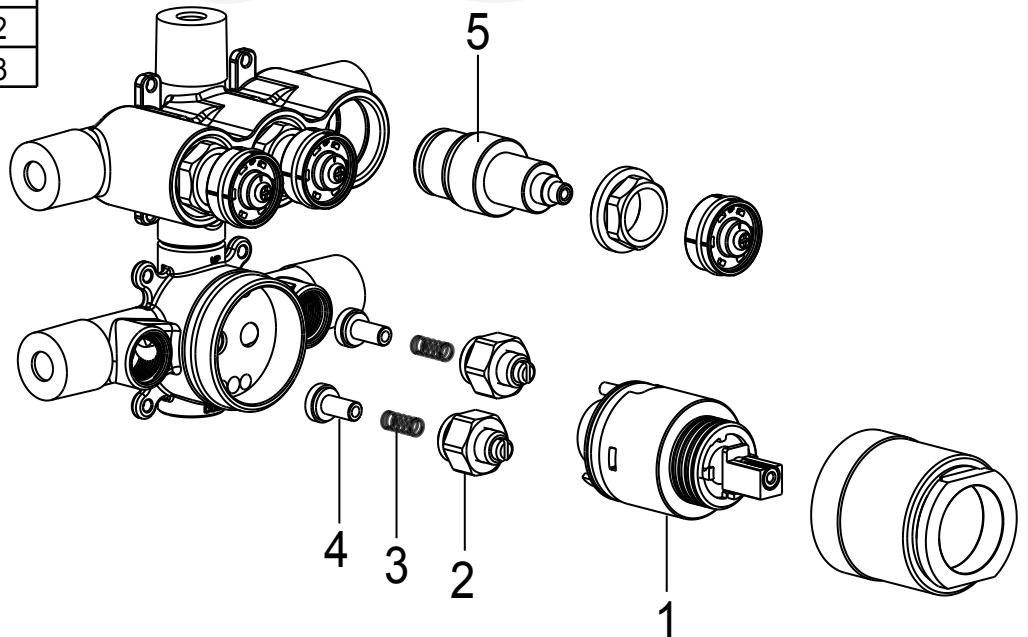


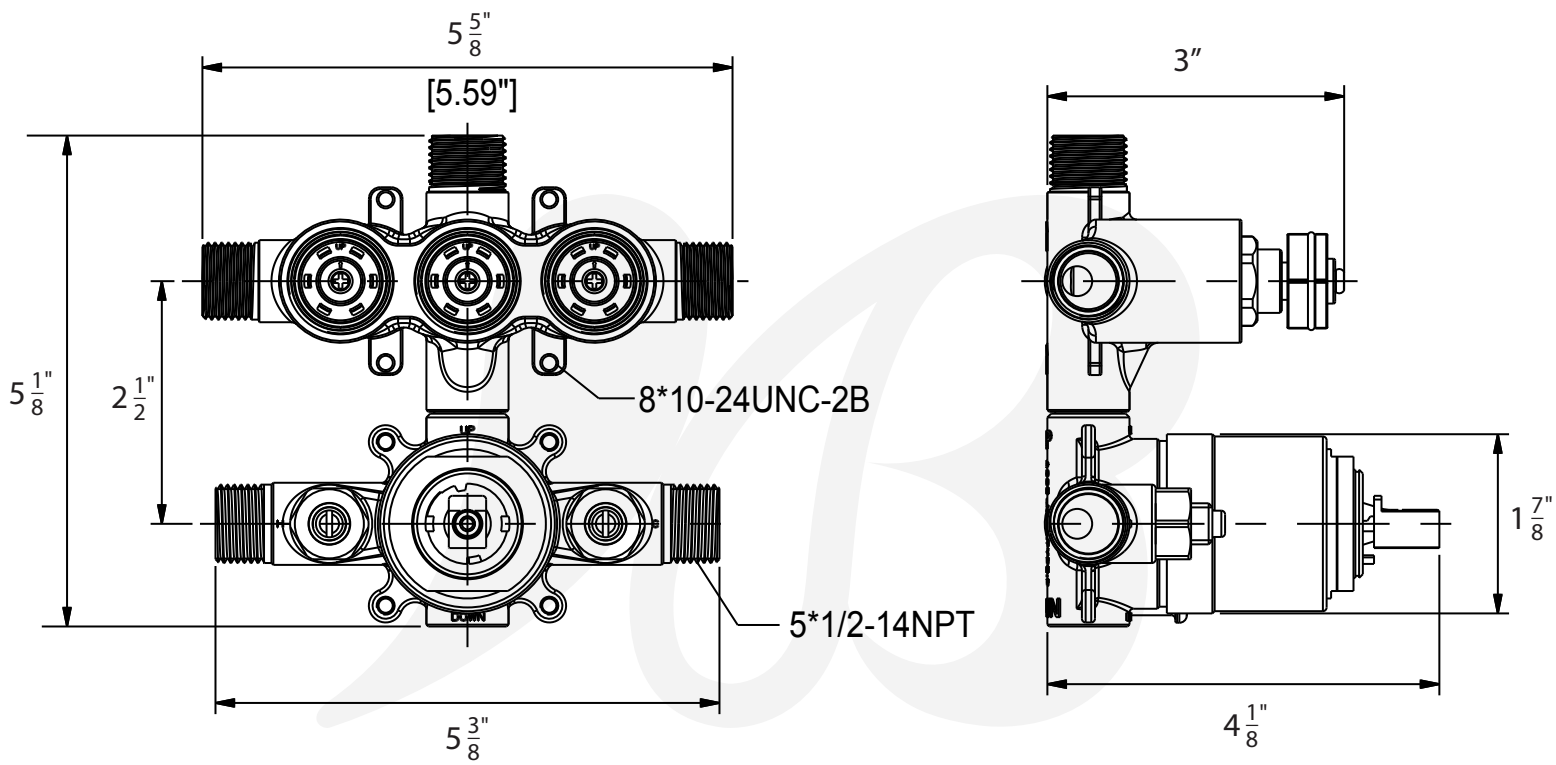
**Standards**

- Certified and listed with IAPMO UPC/cUPC 
- ASSE 1016-2011 compliant

**BREAK DOWN**  
**Component Parts List**

1	ATBA3002	CARTRIDGE	1
2	ATBA0318	CHECKSTOP NUT	2
3	CTBT0078	SPRING	2
4	ATBY0276	CHECKSTOP STEM	2
5	ATBA0385	DIVERTER	3





Item Number	Type	Date
P3323199	Rough-in Valve	4-3-2019